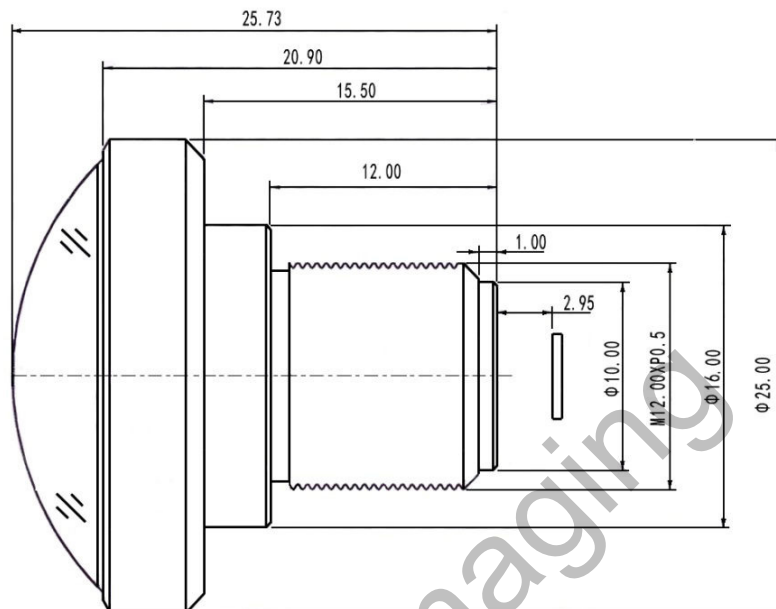


# Lensagon BF16M220D



The S-Mount lens Lensagon BF16M220D is suitable for current sensors up to 16 megapixel with an image format of 1/2.3 inch.

## Technical Data

Mount	S-Mount
Sensor	1/2.3 inch
Focal Length	1.2 mm
Aperture	2.5
Back Focal	2.95 mm
Angle of View	D:220° H:220° V:220°
Megapixel	16 MP
IR Cut	No
Image Circle	4.2
Weight	25 g
Iris	fixed
Focus	fixed
Typ	Fisheye

**SEDECO**  
IMAGING

Germany, Austria, Switzerland  
**Sedeco Imaging GmbH**  
 Unterer Dammweg 12  
 76149 Karlsruhe  
 Germany  
 T. +49 721 5604 7980  
 info@sedeco-imaging.com

BeNeLux  
**Sedeco Imaging B.V.**  
 Trasmolenlaan 12  
 3447 GZ Woerden  
 the Netherlands  
 T. +31 348 749110  
 info@sedeco-imaging.nl

[www.sedeco-imaging.com](http://www.sedeco-imaging.com)



**16** Megapixel