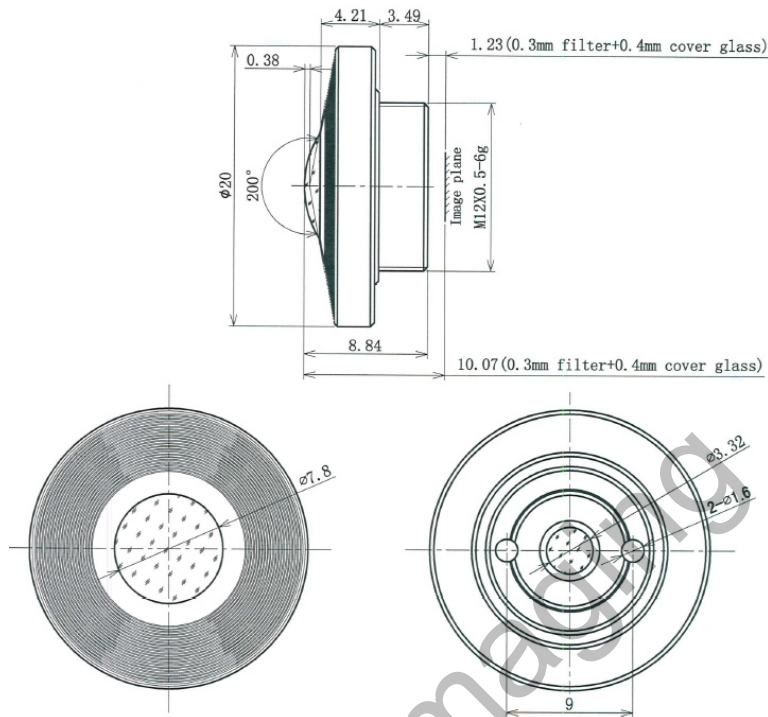


BF13M0922S13C



The S-Mount lens Lensagon BF13M0922S13C is suitable for current sensors up to 13 megapixel with an image format of 1/3.2 inch.

Technical Data

Mount	S-Mount
Sensor	1/3.2 inch
Focal Length	0.9 mm
Aperture	2.2
MOD	0.1 m
Back Focal	2.01 mm
Angle of View	D:200° H:200° V:200°
Megapixel	13 MP
IR Cut Filter	Yes
Image Circle	2.9 mm
Iris	fixed
Focus	fixed
Chief ray angle	10.2 °
Typ	Fisheye

SEDECO
IMAGING

Germany, Austria, Switzerland
Sedeco Imaging GmbH
 Unterer Dammweg 12
 76149 Karlsruhe
 Germany
 T. +49 721 5604 7980
 info@sedeco-imaging.com

BeNeLux
Sedeco Imaging B.V.
 Trasmolenlaan 12
 3447 GZ Woerden
 the Netherlands
 T. +31 348 749110
 info@sedeco-imaging.nl

www.sedeco-imaging.com

