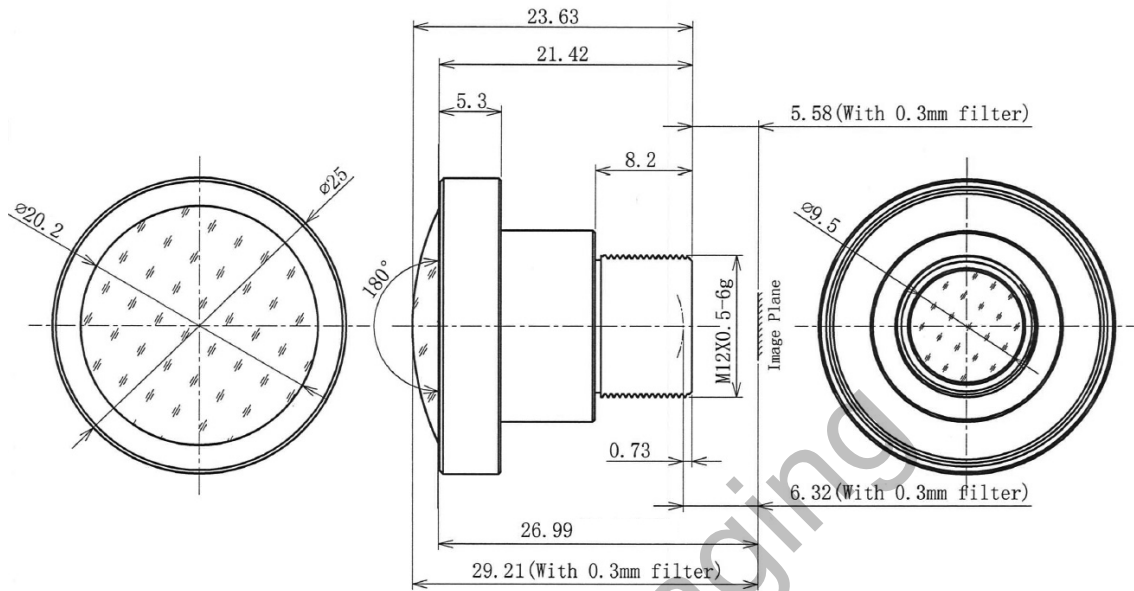


BF10M19828S118C



The S-Mount lens Lensagon BF10M19828S118C is suitable for current sensors up to 10 megapixel with an image format of 1/1.8 inch.

Technical Data

Mount	S-Mount
Sensor	1/1.8 - 1/2 inch Sensor
Focal Length	1.98 mm
Aperture	2.8
MOD	0.1 m
Back Focal	6.32 mm
Angle of View	D:180° H:180° V:180°
Megapixel	10 MP
IR Correction	No
IR Cut Filter	Yes
Image Circle	5.6 mm
Iris	fixed
Focus	fixed
Chief ray angle	12 °
Typ	Fisheye

SEDECO
IMAGING

Germany, Austria, Switzerland
Sedeco Imaging GmbH
 Unterer Dammweg 12
 76149 Karlsruhe
 Germany
 T. +49 721 5604 7980
 info@sedeco-imaging.com

BeNeLux
Sedeco Imaging B.V.
 Trasmolenlaan 12
 3447 GZ Woerden
 the Netherlands
 T. +31 348 749110
 info@sedeco-imaging.nl

www.sedeco-imaging.com



10 Megapixel