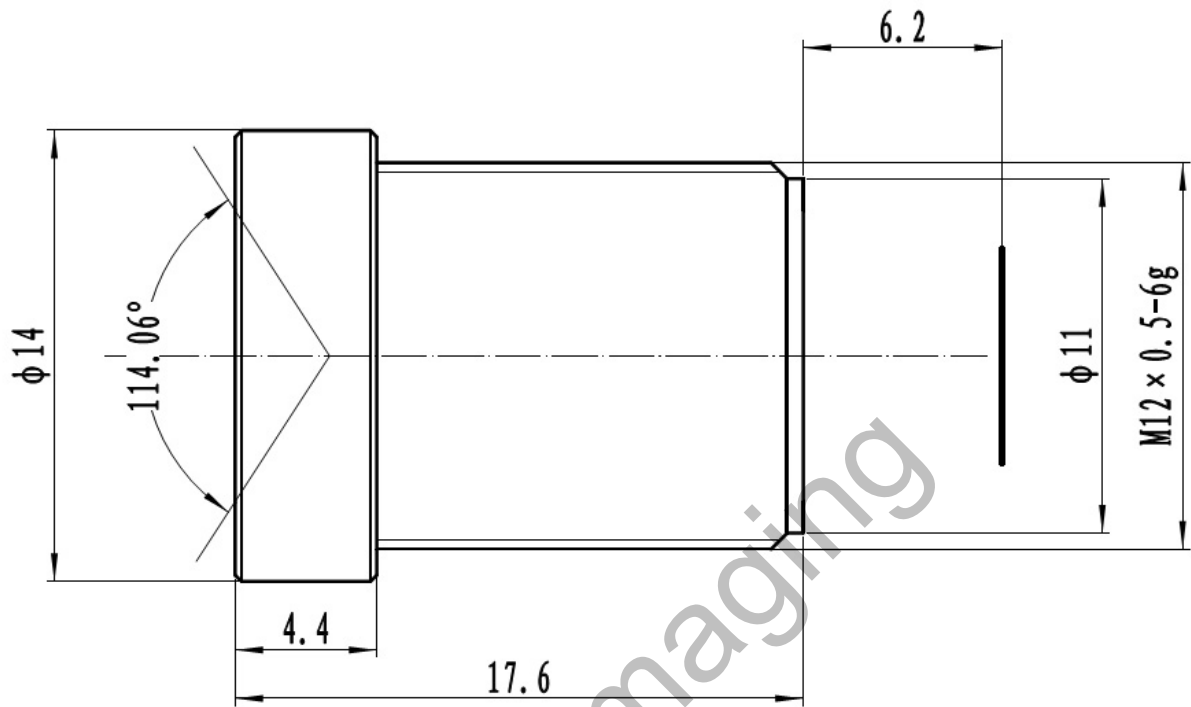


# Lensagon B5M4020



The S-Mount lens Lensagon B5M4020 is suitable for common sensors up to 5 megapixel with an image format of 1/2.5 inch. It is characterized by a particularly high light intensity.

## Technical Data

|               |                        |
|---------------|------------------------|
| Sensor        | 1/2.5 inch             |
| Focal Length  | 4 mm                   |
| Aperture      | 2                      |
| MOD           | 0.3 m                  |
| Back Focal    | 6.7 mm                 |
| Angle of View | D:114° H:91.2° V:68.4° |
| Megapixel     | 5 MP                   |
| Weight        | 5 g                    |

**SEDECO**  
IMAGING

Germany, Austria, Switzerland

Sedeco Imaging GmbH  
Unterer Dammweg 12  
76149 Karlsruhe  
Germany  
T. +49 721 5604 7980  
info@sedeco-imaging.com

BeNeLux

Sedeco Imaging B.V.  
Trasmolenlaan 12  
3447 GZ Woerden  
the Netherlands  
T. +31 348 749110  
info@sedeco-imaging.nl

[www.sedeco-imaging.com](http://www.sedeco-imaging.com)



Light Sensitive



5 Megapixel