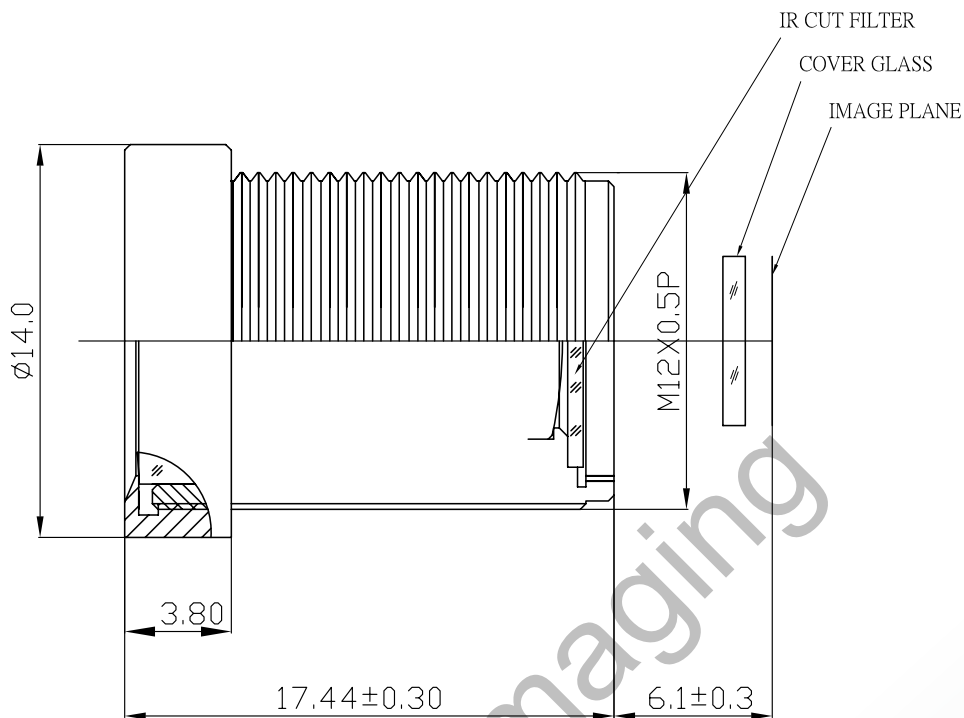


Lensagon B5M4018C



The S-Mount lens Lensagon B5M4018C is suitable for common sensors up to 5 megapixel with an image format of 1/2.5 inch. It is characterized by a particularly high light intensity. Infrared radiation is filtered reliably through the built-in IR cut filter.

Technical Data

Mount	S-Mount
Sensor	1/2.5 inch
Focal Length	4 mm
Aperture	1.8
Back Focal	7.93 mm
Angle of View	D:112° H:86° V:63°
Megapixel	5 MP
IR Correction	IR Cut
IR Cut	Yes
Iris	fixed
Focus	fixed
Typ	Standard

SEDECO
IMAGING

Germany, Austria, Switzerland
Sedeco Imaging GmbH
 Unterer Dammweg 12
 76149 Karlsruhe
 Germany
 T. +49 721 5604 7980
 info@sedeco-imaging.com

BeNeLux
Sedeco Imaging B.V.
 Trasmolenlaan 12
 3447 GZ Woerden
 the Netherlands
 T. +31 348 749110
 info@sedeco-imaging.nl

www.sedeco-imaging.com



Light Sensitive



5 Megapixel



IR Cut Filter