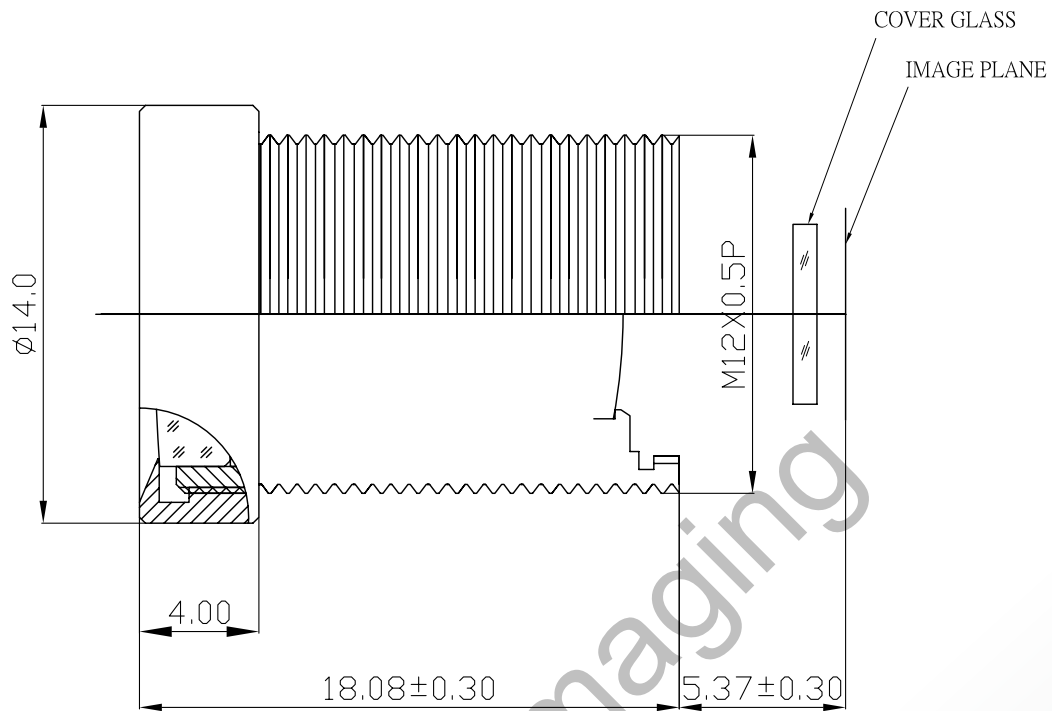


Lensagon B5M3618



The S-Mount lens Lensagon B5M3618 is suitable for common sensors up to 5 megapixel with an image format of 1/2.5 inch. It is characterized by a particularly high light intensity.

Technical Data

Mount	S-Mount
Sensor	1/2.5 inch
Focal Length	3.6 mm
Aperture	1.8
Back Focal	7.25 mm
Angle of View	D:128° H:96.4° V:69.8°
Megapixel	5 MP
IR Cut	No
Weight	5 g
Iris	fixed
Focus	fixed

SEDECO
IMAGING

Germany, Austria, Switzerland
Sedeco Imaging GmbH
Unterer Dammweg 12
76149 Karlsruhe
Germany
T. +49 721 5604 7980
info@sedeco-imaging.com

BeNeLux
Sedeco Imaging B.V.
Trasmolenlaan 12
3447 GZ Woerden
the Netherlands
T. +31 348 749110
info@sedeco-imaging.nl

www.sedeco-imaging.com



Light Sensitive



5 Megapixel