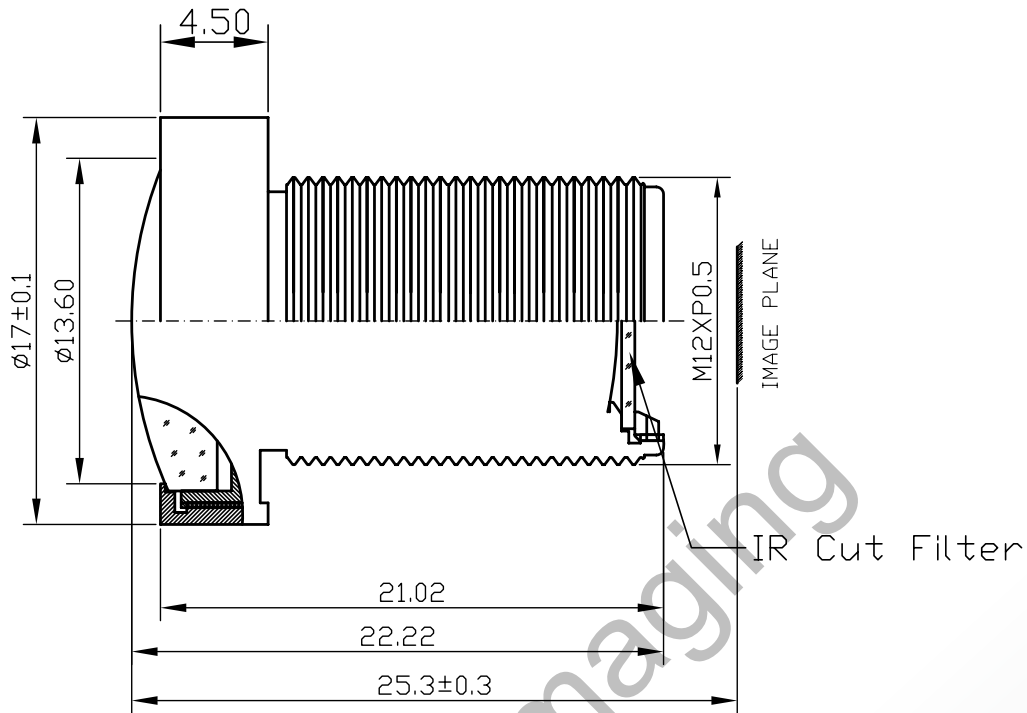


Lensagon B5M2916C



The S-Mount lens Lensagon B5M2916C is suitable for common sensors up to 5 megapixel with an image format of 1/2.5 inch. It is characterized by a particularly high light intensity. Infrared radiation is filtered reliably through the built-in IR cut filter.

Technical Data

Mount	S-Mount
Sensor	1/2.5 inch
Focal Length	2.9 mm
Aperture	1.6
Back Focal	4.47 mm
Angle of View	D:152° H:117.5° V:86.5°
Megapixel	5 MP
IR Correction	IR Cut
IR Cut	Yes
Distortion	-63 %
Iris	fixed
Focus	fixed
Typ	Standard

SEDECO
IMAGING

Germany, Austria, Switzerland
Sedeco Imaging GmbH
Unterer Dammweg 12
76149 Karlsruhe
Germany
T. +49 721 5604 7980
info@sedeco-imaging.com

BeNeLux
Sedeco Imaging B.V.
Trasmolenlaan 12
3447 GZ Woerden
the Netherlands
T. +31 348 749110
info@sedeco-imaging.nl

www.sedeco-imaging.com



Light Sensitive



5 Megapixel



IR Cut Filter