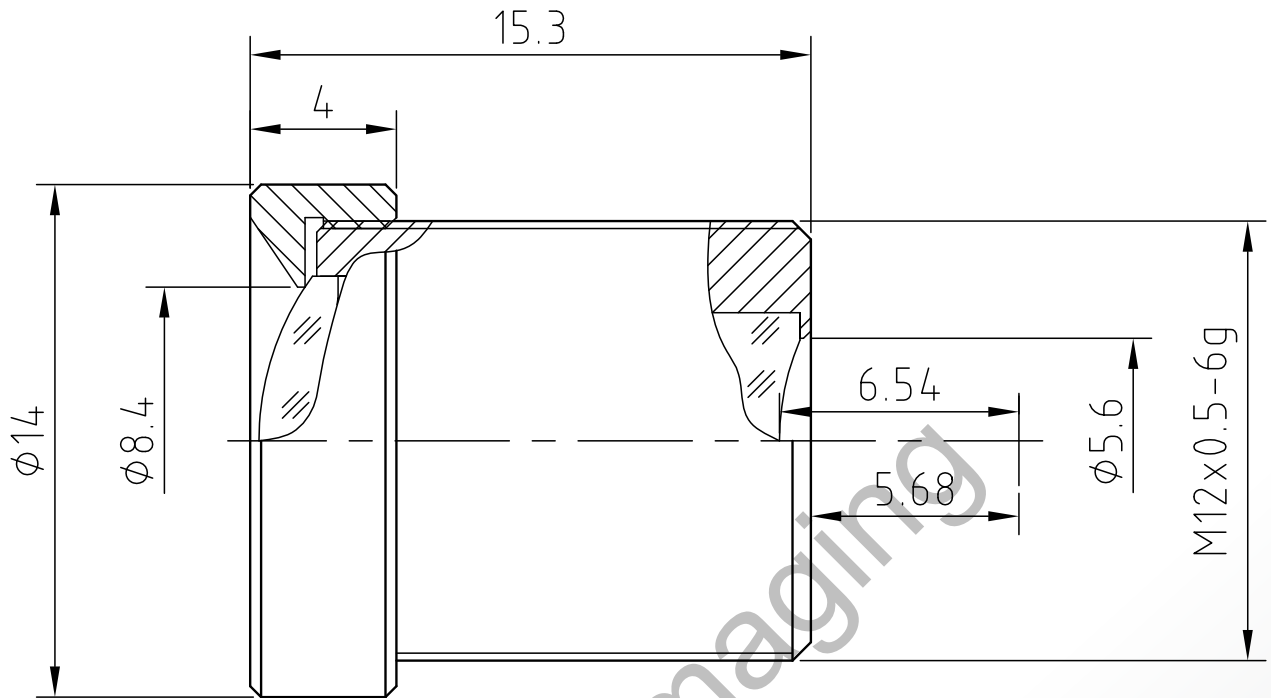


# BSM12016S12



The S-Mount lens Lensagon BSM12016S12 is suitable for sensors below 1 megapixel with an image format of 1/2 inch. It is characterized by a particularly high light intensity. Chief Ray Angle: 9,8

## Technical Data

Mount	S-Mount
Sensor	1/2 inch
Focal Length	12 mm
Aperture	2
MOD	0.2 m
Back Focal	6.54 mm
Angle of View	D:38.6° H:31° V:23°
IR Correction	Yes
Weight	5 g
Iris	fixed
Focus	fixed
Typ	Standard

**SEDECO**  
IMAGING

Germany, Austria, Switzerland  
**Sedeco Imaging GmbH**  
 Unterer Dammweg 12  
 76149 Karlsruhe  
 Germany  
 T. +49 721 5604 7980  
 info@sedeco-imaging.com

BeNeLux  
**Sedeco Imaging B.V.**  
 Trasmolenlaan 12  
 3447 GZ Woerden  
 the Netherlands  
 T. +31 348 749110  
 info@sedeco-imaging.nl

[www.sedeco-imaging.com](http://www.sedeco-imaging.com)



Light Sensitive