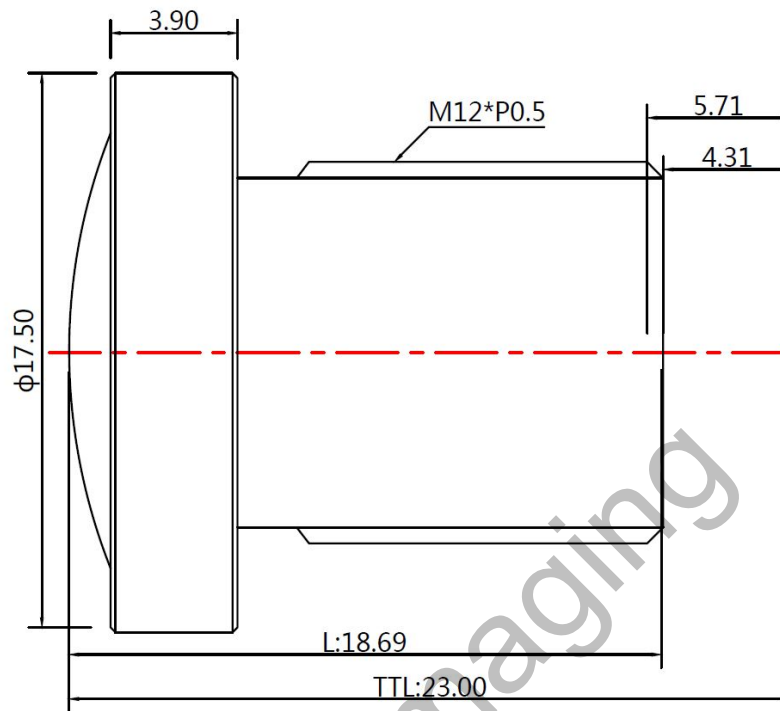


# B14M28620S123C



The S-Mount lens Lensagon B14M28620S123C is suitable for current sensors up to 14 megapixel with an image format of 1/2.3 inch. It is characterized by a particularly high light intensity.

## Technical Data

Mount	S-Mount
Sensor	1/2.3 inch
Focal Length	2.86 mm
Aperture	2
MOD	0.1 m
Back Focal	5.71 mm
Angle of View	D:170° H:135° V:95°
Megapixel	14 MP
IR Cut Filter	Yes
Distortion	-90 %
Image Circle	7.7 mm
Weight	15 g
Iris	fixed
Focus	fixed
Typ	Standard

**SEDECO**  
IMAGING

Germany, Austria, Switzerland  
Sedeco Imaging GmbH  
Unterer Dammweg 12  
76149 Karlsruhe  
Germany  
T. +49 721 5604 7980  
info@sedeco-imaging.com

BeNeLux  
Sedeco Imaging B.V.  
Trasmolenlaan 12  
3447 GZ Woerden  
the Netherlands  
T. +31 348 749110  
info@sedeco-imaging.nl

[www.sedeco-imaging.com](http://www.sedeco-imaging.com)



Light Sensitive

**14**

Megapixel