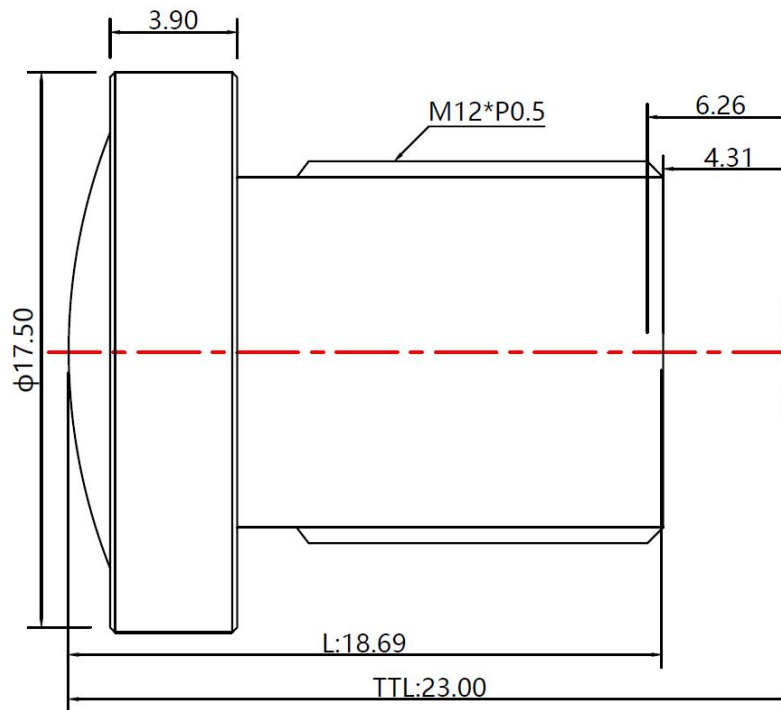


B14M28620S123



The S-Mount lens Lensagon B14M28620S123 is suitable for current sensors up to 14 megapixel with an image format of 1/2.3 inch. It is characterized by a particularly high light intensity.

Technical Data

Sensor	1/2.3 inch
Focal Length	2.86 mm
Aperture	2
MOD	0.1 m
Back Focal	6.26 mm
Angle of View	D:170° H:135° V:95°
Megapixel	14 MP
TV Distortion	-25 %
Image Circle	7.7 mm
Weight	15 g

SEDECO
IMAGING

Germany, Austria, Switzerland

Sedeco Imaging GmbH
Unterer Dammweg 12
76149 Karlsruhe
Germany
T. +49 721 5604 7980
info@sedeco-imaging.com

BeNeLux

Sedeco Imaging B.V.
Trasmolenlaan 12
3447 CZ Woerden
the Netherlands
T. +31 348 749110
info@sedeco-imaging.nl

www.sedeco-imaging.com



Light Sensitive

14

Megapixel