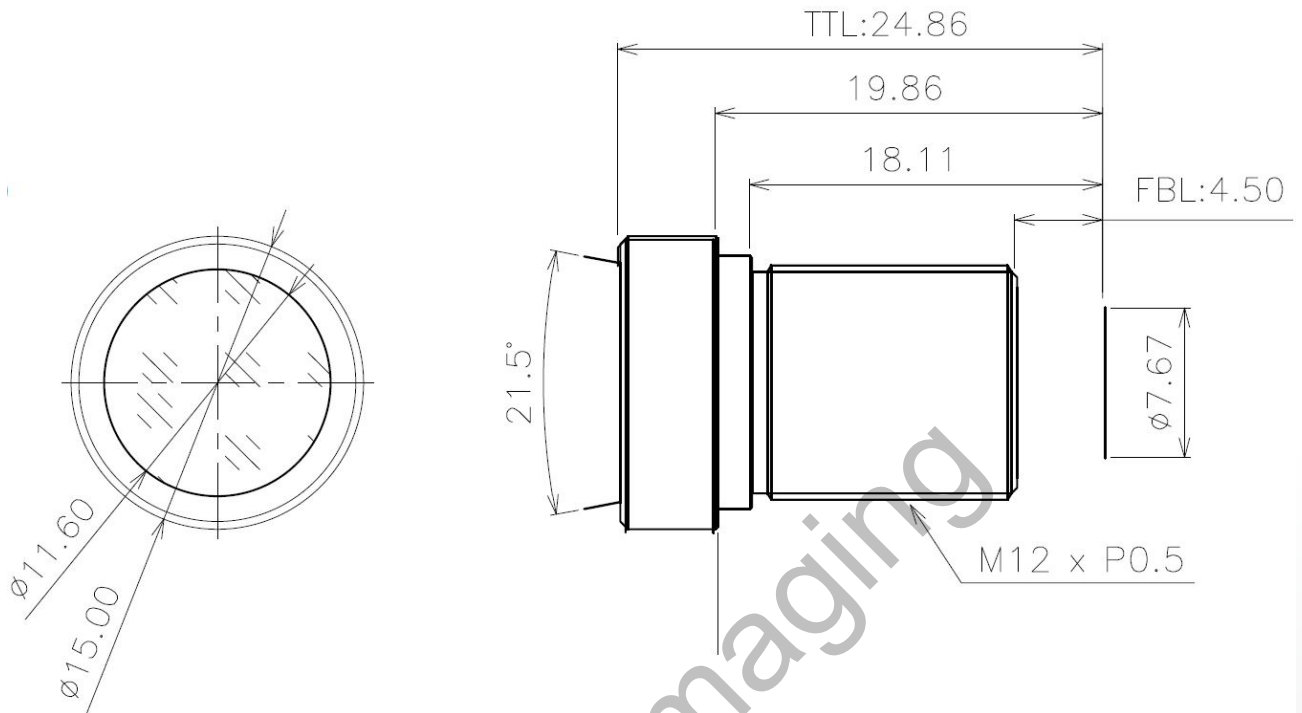


B14M20020S123C



The S-Mount lens Lensagon B14M20020S123C is suitable for current sensors up to 14 megapixel with an image format of 1/2.3 inch. CRA 10°+/-2°, center MTF 36%@350lp/mm

Technical Data

Mount	S-Mount
Sensor	1/2.3 inch
Focal Length	20 mm
Aperture	2.2
MOD	0.2 m
Back Focal	13.43 mm
Angle of View	D:21.5° H:17.1° V:13°
Megapixel	14 MP
IR Correction	No
IR Cut Filter	Yes
Image Circle	7.67 mm
Iris	fixed
Focus	fixed
Typ	Standard

SEDECO
IMAGING

Germany, Austria, Switzerland

Sedeco Imaging GmbH
Unterer Dammweg 12
76149 Karlsruhe
Germany

T. +49 721 5604 7980
info@sedeco-imaging.com

BeNeLux

Sedeco Imaging B.V.
Trasmolenlaan 12
3447 GZ Woerden
the Netherlands

T. +31 348 749110
info@sedeco-imaging.nl

www.sedeco-imaging.com



14 Megapixel