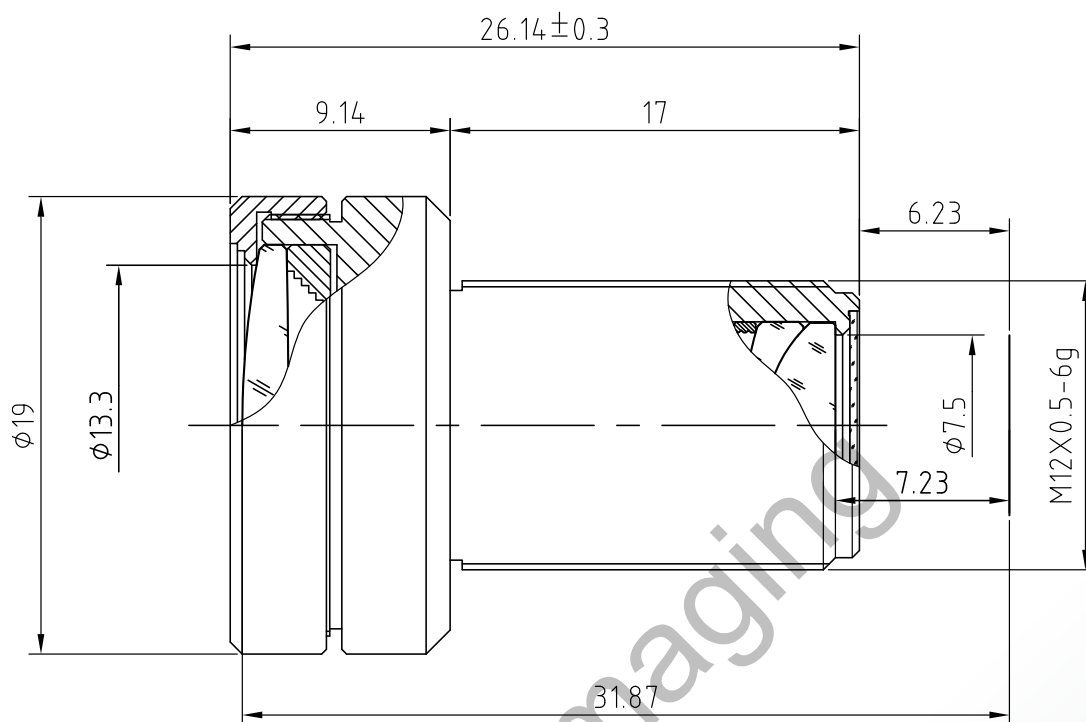


Lensagon B10M7224C



The S-Mount lens Lensagon B10M7224C is suitable for current sensors up to 10 megapixel with an image format of 1/2.3 inch. Infrared radiation is filtered reliably through the built-in IR cut filter.

Technical Data

Mount	S-Mount
Sensor	1/2.3 inch
Focal Length	7.2 mm
Aperture	2.4
MOD	0.3 m
Back Focal	7.23 mm
Angle of View	D:57° H:47° V:37°
Megapixel	10 MP
IR Correction	IR Cut
IR Cut	Yes
Distortion	1.5 %
Weight	11.6 g
Iris	fixed
Focus	fixed
IR IR Cut Filter	Standard

SEDECO
IMAGING

Germany, Austria, Switzerland
Sedeco Imaging GmbH
 Unterer Dammweg 12
 76149 Karlsruhe
 Germany
 T. +49 721 5604 7980
 info@sedeco-imaging.com

BeNeLux
Sedeco Imaging B.V.
 Trasmolenlaan 12
 3447 GZ Woerden
 the Netherlands
 T. +31 348 749110
 info@sedeco-imaging.nl

www.sedeco-imaging.com



10 Megapixel

IR IR Cut Filter