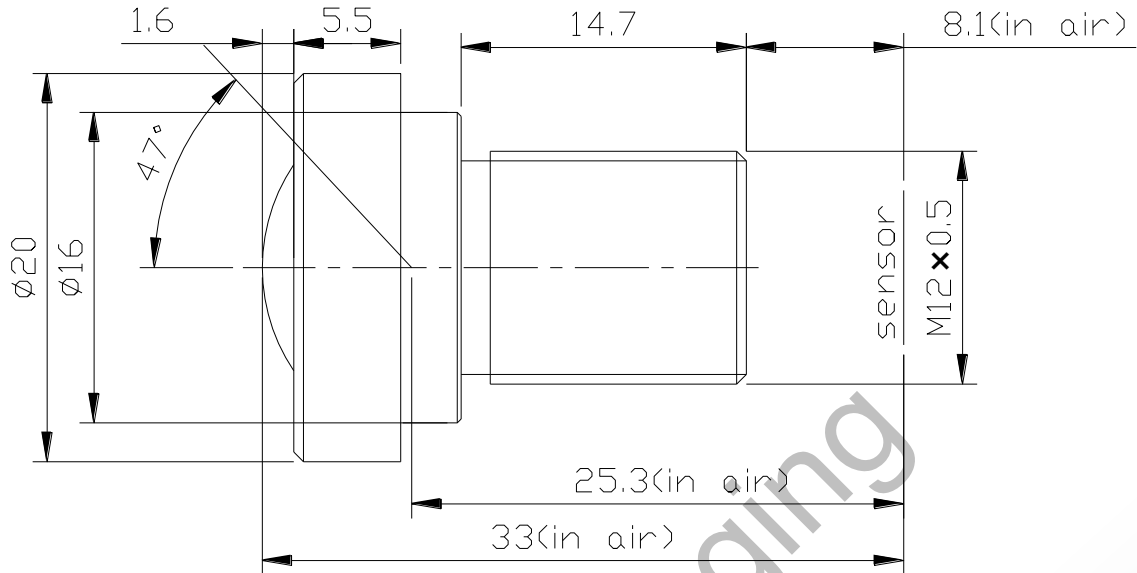


B10M5022S12C



The S-Mount lens Lensagon B10M5022S12C is suitable for current sensors up to 10 megapixel with an image format of 1/2 inch. Infrared radiation is filtered reliably through the built-in IR cut filter.

Technical Data

Mount	S-Mount
Sensor	1/2 inch
Focal Length	5 mm
Aperture	2.2
MOD	0.3 m
Megapixel	10 MP
IR Correction	IR Cut
IR Cut	Yes
Distortion	-24 %
Weight	11 g
Iris	fixed
Focus	fixed
Typ	Standard

SEDECO
IMAGING

Germany, Austria, Switzerland
Sedeco Imaging GmbH
Unterer Dammweg 12
76149 Karlsruhe
Germany
T. +49 721 5604 7980
info@sedeco-imaging.com

BeNeLux
Sedeco Imaging B.V.
Trasmolenlaan 12
3447 GZ Woerden
the Netherlands
T. +31 348 749110
info@sedeco-imaging.nl

www.sedeco-imaging.com



10 Megapixel

IR IR Cut Filter