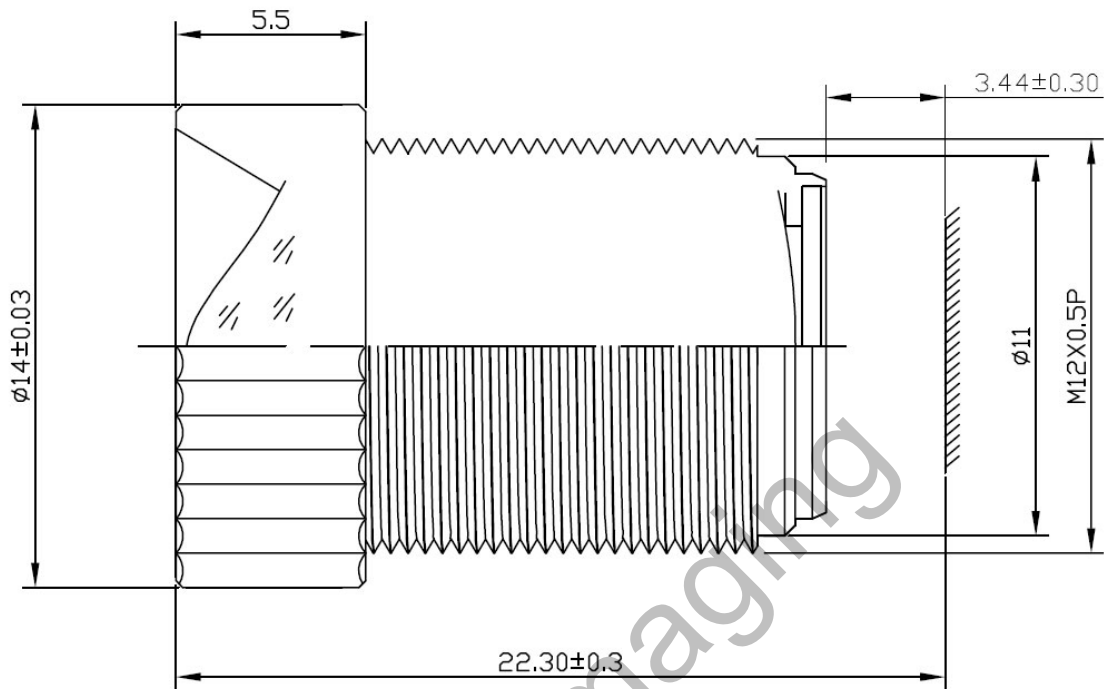


# B10M45545NDC



The S-Mount lens Lensagon B10M45545NDC is suitable for current sensors up to 10 megapixel with an image format of 1/2.3 inch.

## Technical Data

Mount	S-Mount
Sensor	1/2.3 inch
Focal Length	4.55 mm
Aperture	4.5
MOD	0.1 m
Back Focal	5.25 mm
Angle of View	D:81.7° H:° V:°
Megapixel	10 MP
IR Cut Filter	Yes
Distortion	0.5 %
Iris	fixed
Focus	fixed

**SEDECO**  
IMAGING

Germany, Austria, Switzerland  
Sedeco Imaging GmbH  
Unterer Dammweg 12  
76149 Karlsruhe  
Germany  
T. +49 721 5604 7980  
info@sedeco-imaging.com

BeNeLux  
Sedeco Imaging B.V.  
Trasmolenlaan 12  
3447 GZ Woerden  
the Netherlands  
T. +31 348 749110  
info@sedeco-imaging.nl

[www.sedeco-imaging.com](http://www.sedeco-imaging.com)



**10** Megapixel