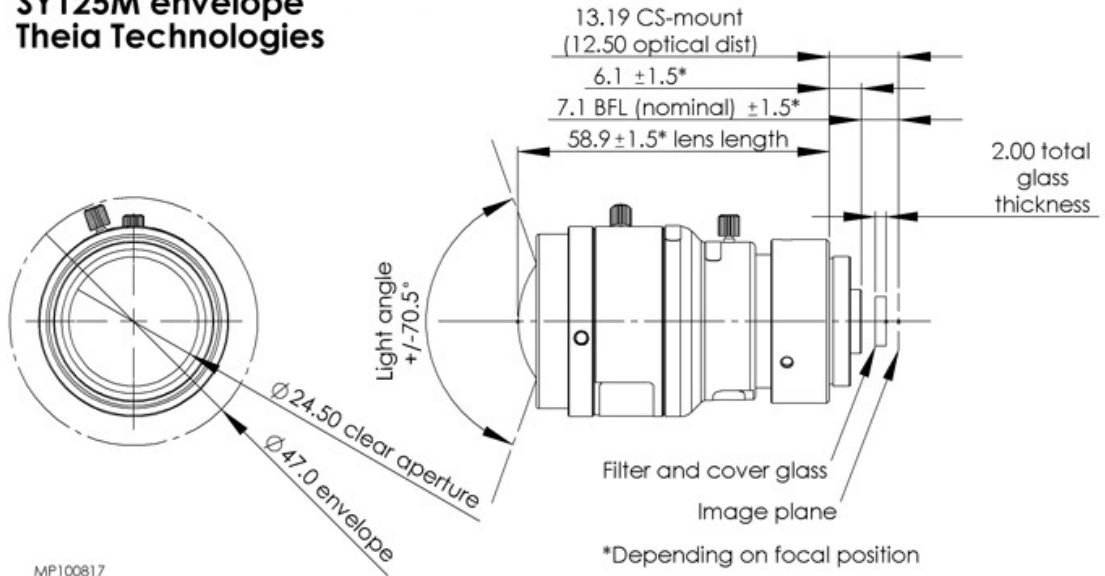


Theia

SY125M

SY125M envelope
Theia Technologies



MP100817



The CS-Mount lens Theia SY125M is suitable for common sensors up to 5 megapixel with an image format of 1/2.5 inch. It is characterized by a particularly high light intensity.

Technical Data	
Mount	CS-Mount
Sensor	1/2.5 inch
Focal Length	1.7 mm
Aperture	1.8
MOD	0.5 m
Back Focal	6.5 mm
Angle of View	D:141° H:135° V:119°
Megapixel	5 MP
IR Cut	No
Weight	113 g
Iris	manual-lock
Focus	manual-lock
Typ	No Distortion



Light Sensitive



5 Megapixel