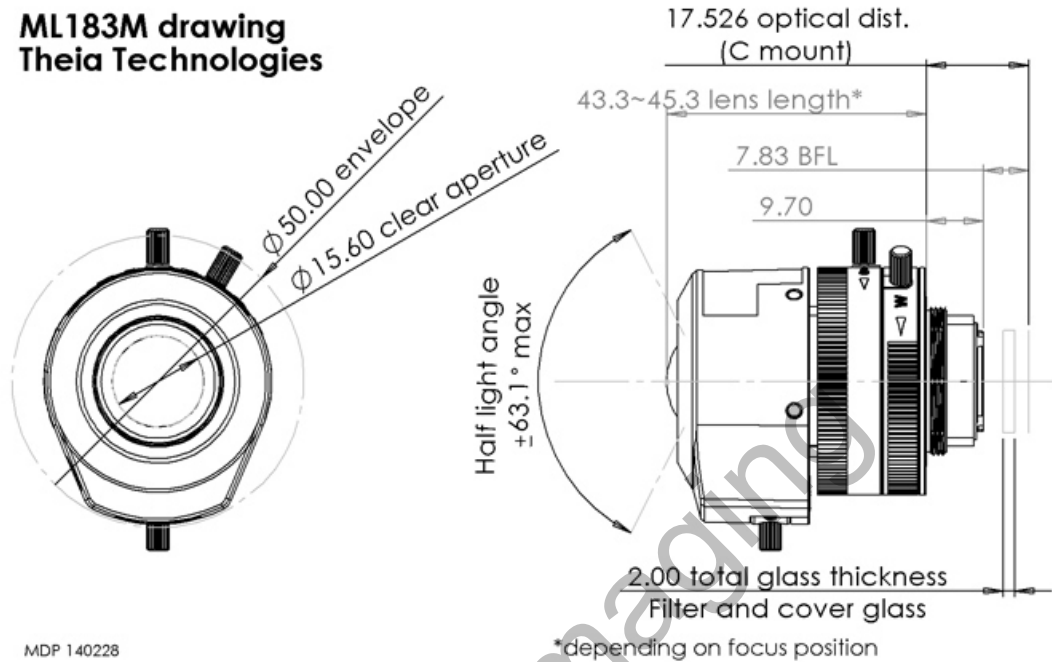


Theia ML183M

ML183M drawing
Theia Technologies



MDP 140228



The C-Mount lens Theia ML183M is suitable for common sensors up to 5 megapixel with an image format of 1/2.5 inch. It is characterized by a particularly high light intensity.

Technical Data

Mount	C-Mount
Sensor	1/2.5 inch
Focal Length	1.8 mm
max. Focal Length	3 mm
Aperture	1.8
MOD	0.5 m
Back Focal	8.2 mm
Angle of View	D:126° H:115° V:99°
Megapixel	5 MP
IR Correction	Yes
IR Cut Filter	No
Weight	59 g
Iris	manual-lock
Focus	manual-lock
Typ	Standard

SEDECO
IMAGING

Germany, Austria, Switzerland

Sedeco Imaging GmbH
Unterer Dammweg 12
76149 Karlsruhe
Germany
T. +49 721 5604 7980
info@sedeco-imaging.com

BeNeLux

Sedeco Imaging B.V.
Trasmolenlaan 12
3447 GZ Woerden
the Netherlands
T. +31 348 749110
info@sedeco-imaging.nl

www.sedeco-imaging.com



Light Sensitive



5 Megapixel