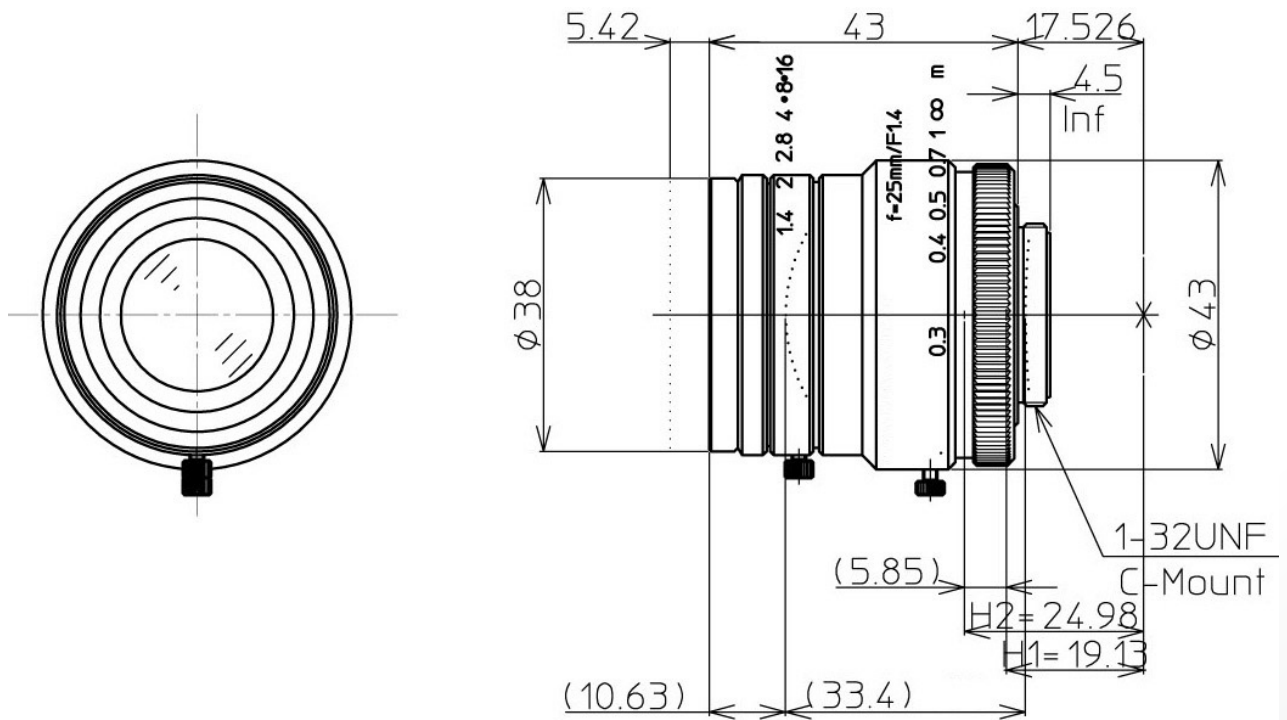


Lensagon CM2514GS



The C-Mount lens Lensagon CM2514GS is suitable for common sensors up to 1 megapixel with an image format of 1 inch. It is characterized by a particularly high light intensity.

| Technical Data | |
|----------------|-------------|
| Mount | C-Mount |
| Sensor | 1 inch |
| Focal Length | 25 mm |
| Aperture | 1.4 |
| MOD | 0.3 m |
| Back Focal | 16.5 mm |
| Megapixel | 1-2 MP |
| IR Cut | No |
| Distortion | -1 % |
| Weight | 135 g |
| Iris | manual-lock |
| Focus | manual-lock |
| Typ | Standard |



Light Sensitive



1 Megapixel