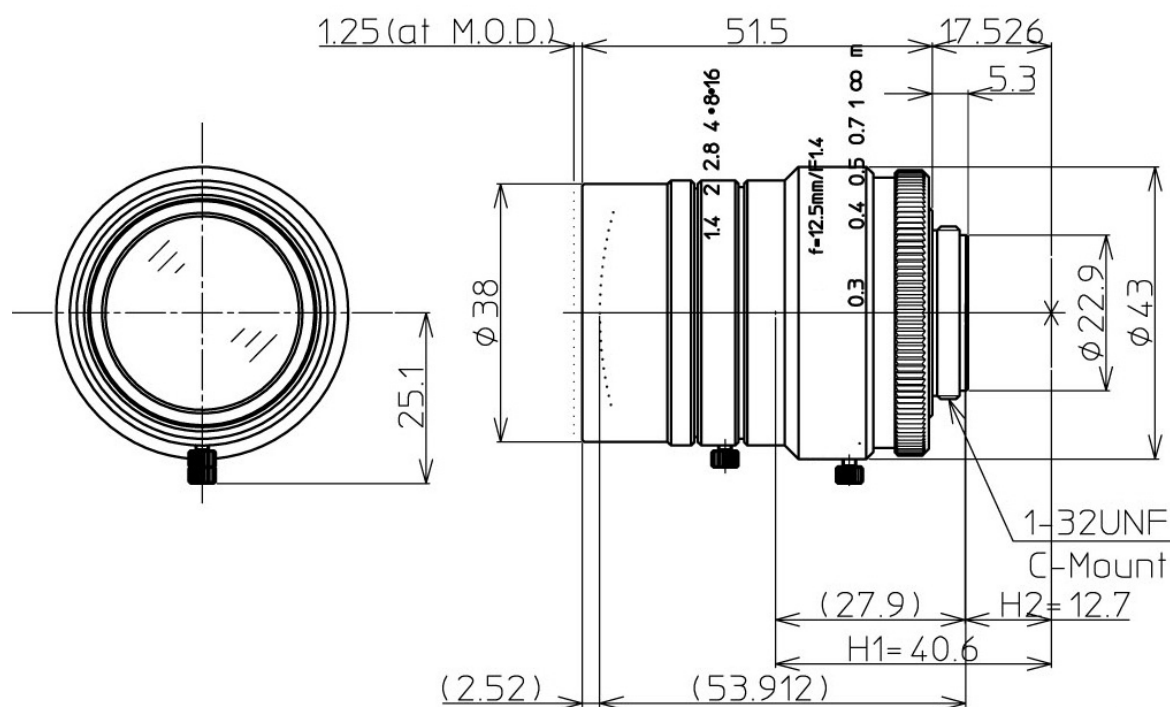


Lensagon CM1214GS



The C-Mount lens Lensagon CM1214GS is suitable for common sensors up to 1 megapixel with an image format of 1 inch. It is characterized by a particularly high light intensity.

Technical Data

Mount	C-Mount
Sensor	1 inch
Focal Length	12 mm
Aperture	1.4
MOD	0.3 m
Back Focal	12.6 mm
Megapixel	1-2 MP
IR Cut	No
Distortion	-1.5 %
Weight	160 g
Iris	manual-lock
Focus	manual-lock
Typ	Standard



Light Sensitive



Megapixel