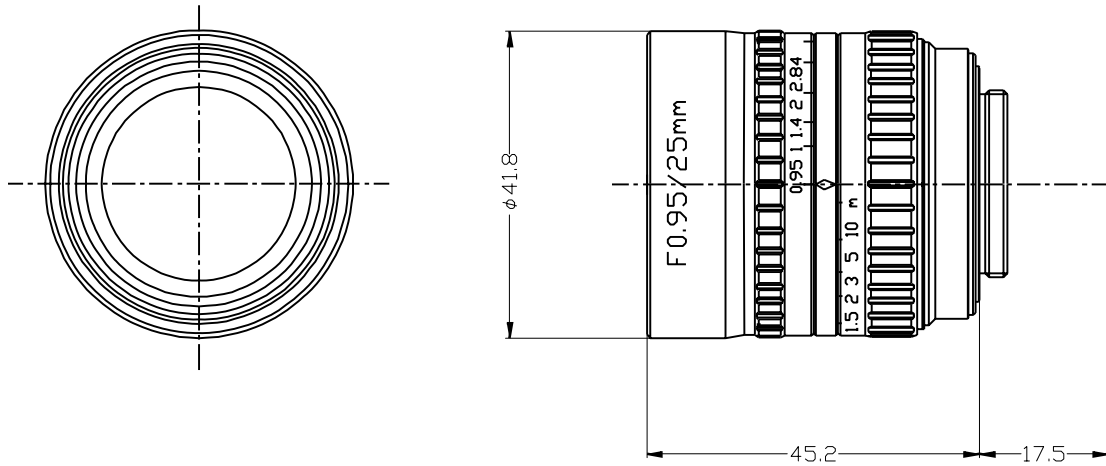


Lensagon CHS25095



The C-Mount lens Lensagon CHS25095 is suitable for common sensors up to 1 megapixel with an image format of 1 inch. It is characterized by a particularly high light intensity.

Technical Data

| | |
|---------------|-------------------------|
| Mount | C-Mount |
| Sensor | 1 inch |
| Focal Length | 25 mm |
| Aperture | 0.95 |
| Back Focal | 13.89 mm |
| Angle of View | D:35.5° H:28.7° V:21.7° |
| Megapixel | 1-2 MP |
| IR Cut | No |
| Weight | 165 g |
| Iris | manual |
| Focus | manual |
| Typ | Standard |



Light Sensitive



Megapixel