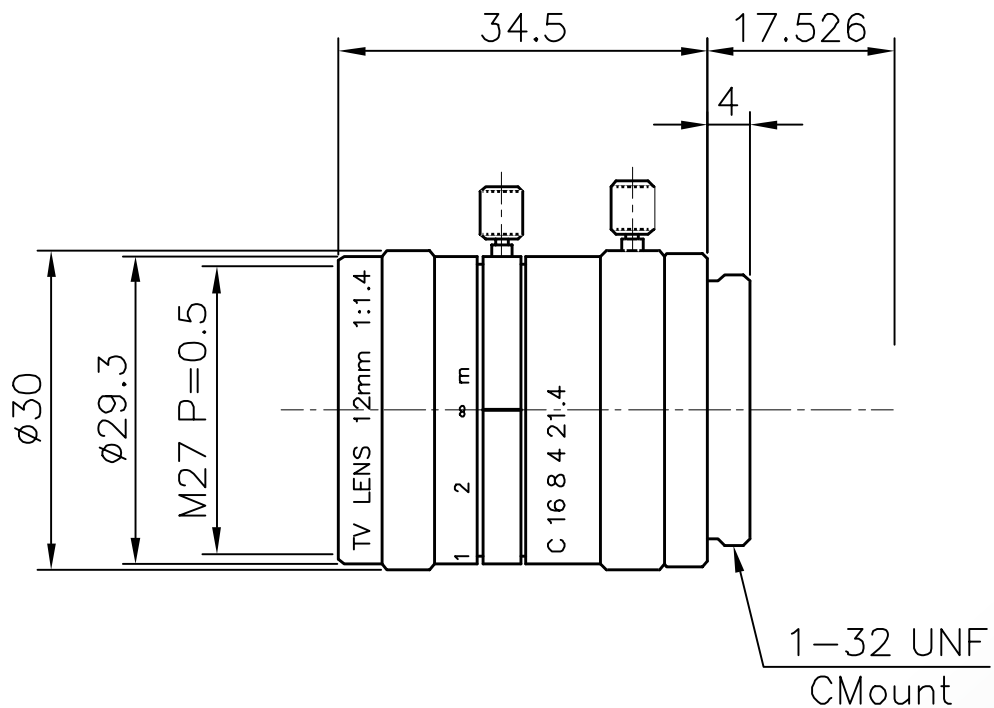


# Lensagon CY1214



The C-Mount lens Lensagon CY1214 is suitable for sensors below 1 megapixel with an image format of 1/2 inch. It is characterized by a particularly high light intensity.

## Technical Data

Mount	C-Mount
Sensor	1/2 inch
Focal Length	12 mm
Aperture	1.4
MOD	0.3 m
Back Focal	13.87 mm
Megapixel	0.4 MP
IR Cut	No
Weight	59 g
Iris	manual-lock
Focus	manual-lock
Typ	Standard



Light Sensitive