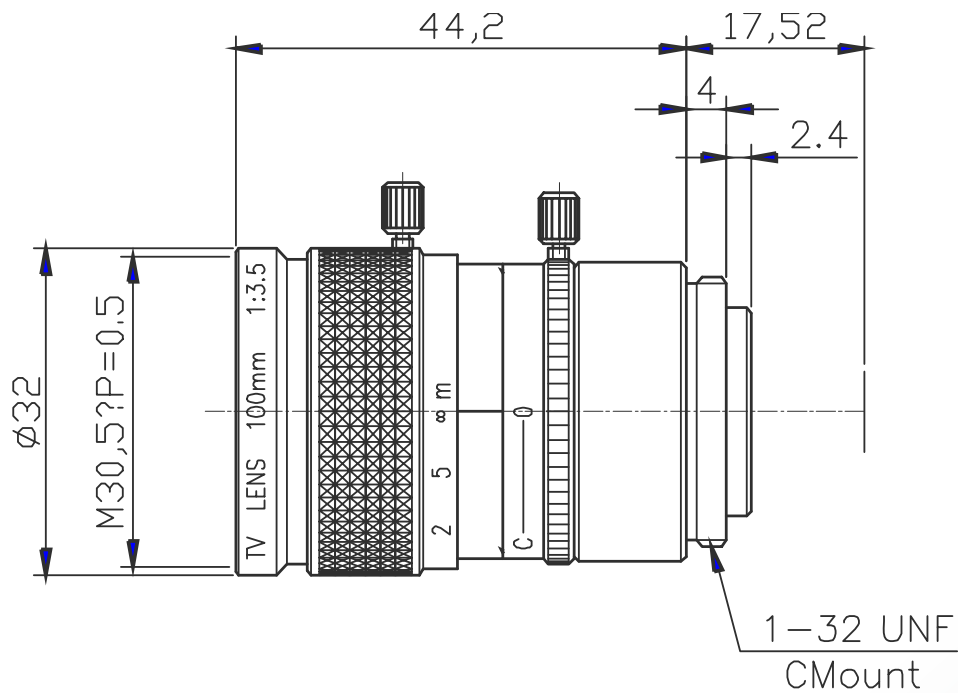


Lensagon CY10035



The C-Mount lens Lensagon CY10035 is suitable for sensors below 1 megapixel with an image format of 2/3 inch.

Technical Data

Mount	C-Mount
Sensor	2/3 inch
Focal Length	100 mm
Aperture	3.5
MOD	1 m
Megapixel	0.4 MP
Filter	M30.5 P=0.5
IR Cut	No
Weight	62 g
Iris	manual-lock
Focus	manual-lock
Typ	Standard

