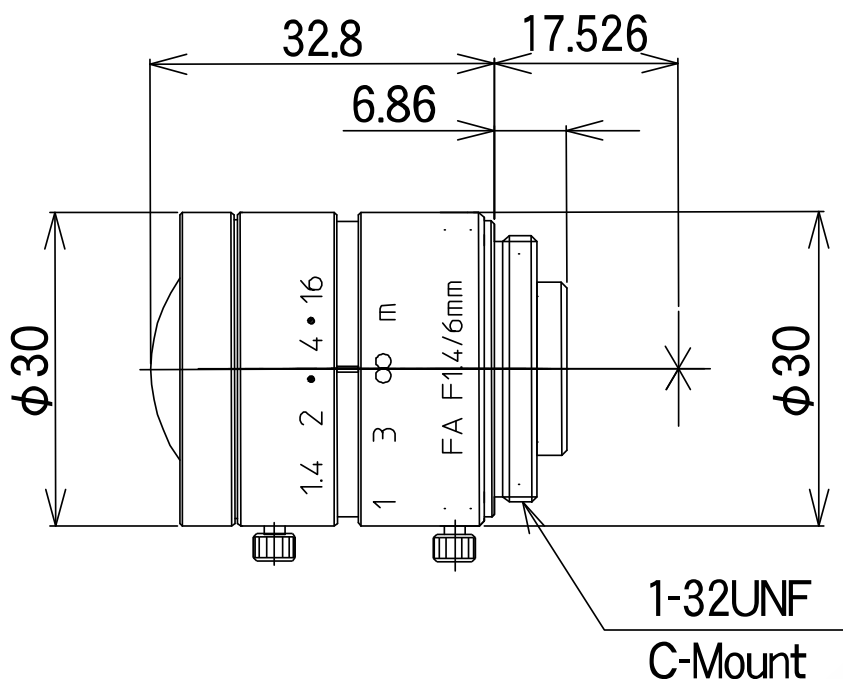


# Lensagon CY0614S23



The C-Mount lens Lensagon CY0614S23 is suitable for sensors below 1 megapixel with an image format of 2/3 inch. It is characterized by a particularly high light intensity.

## Technical Data

Mount	C-Mount
Sensor	2/3 inch
Focal Length	6 mm
Aperture	1.4
MOD	0.2 m
Back Focal	11.3 mm
Angle of View	D:102.9° H:81.9° V:61.2°
Megapixel	0.4 MP
Filter	no thread
IR Cut	No
Distortion	-10.7 %
Weight	65 g
Iris	manual-lock
Focus	manual-lock
Typ	Standard

