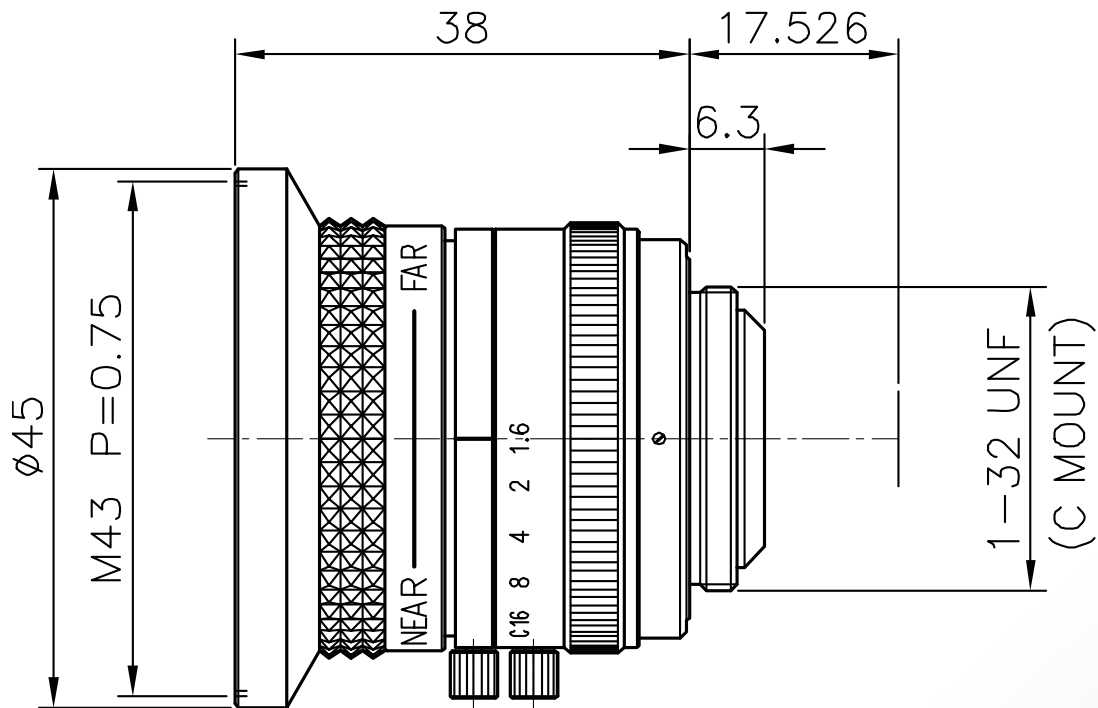


# Lensagon CY0316



The C-Mount lens Lensagon CY0316 is suitable for sensors below 1 megapixel with an image format of 1/2 inch. It is characterized by a particularly high light intensity.

Technical Data	
Mount	C-Mount
Sensor	1/2 inch
Focal Length	3.5 mm
Aperture	1.6
MOD	0.1 m
Back Focal	11.45 mm
Megapixel	0.4 MP
Filter	M43 P=0.75
IR Cut	No
Weight	96 g
Iris	manual-lock
Focus	manual-lock
Typ	Standard

