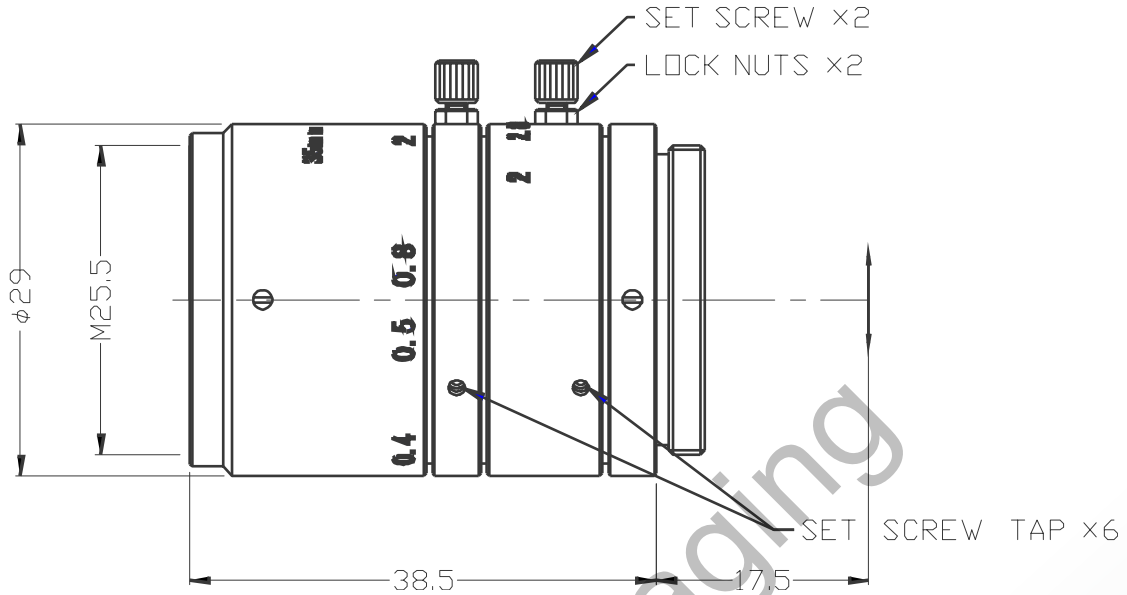


Lensagon CM3520MJ



The C-Mount lens Lensagon CM3520MJ is suitable for common sensors up to 1 megapixel with an image format of 2/3 inch. It is characterized by a particularly high light intensity.

Technical Data

Mount	C-Mount
Sensor	2/3 inch
Focal Length	35 mm
Aperture	2
MOD	0.25 m
Back Focal	18.06 mm
Angle of View	D:17.8° H:14.3° V:10.4°
Megapixel	1-2 MP
IR Cut Filter	No
Distortion	-0.2 %
Weight	55 g
Iris	manual-lock
Focus	manual-lock
Filter	M25.5
Typ	Standard

SEDECO
IMAGING

Germany, Austria, Switzerland

Sedeco Imaging GmbH
Unterer Dammweg 12
76149 Karlsruhe
Germany

T. +49 721 5604 7980
info@sedeco-imaging.com

BeNeLux

Sedeco Imaging B.V.
Trasmolenlaan 12
3447 GZ Woerden
the Netherlands

T. +31 348 749110
info@sedeco-imaging.nl

www.sedeco-imaging.com



Light Sensitive

1

Megapixel