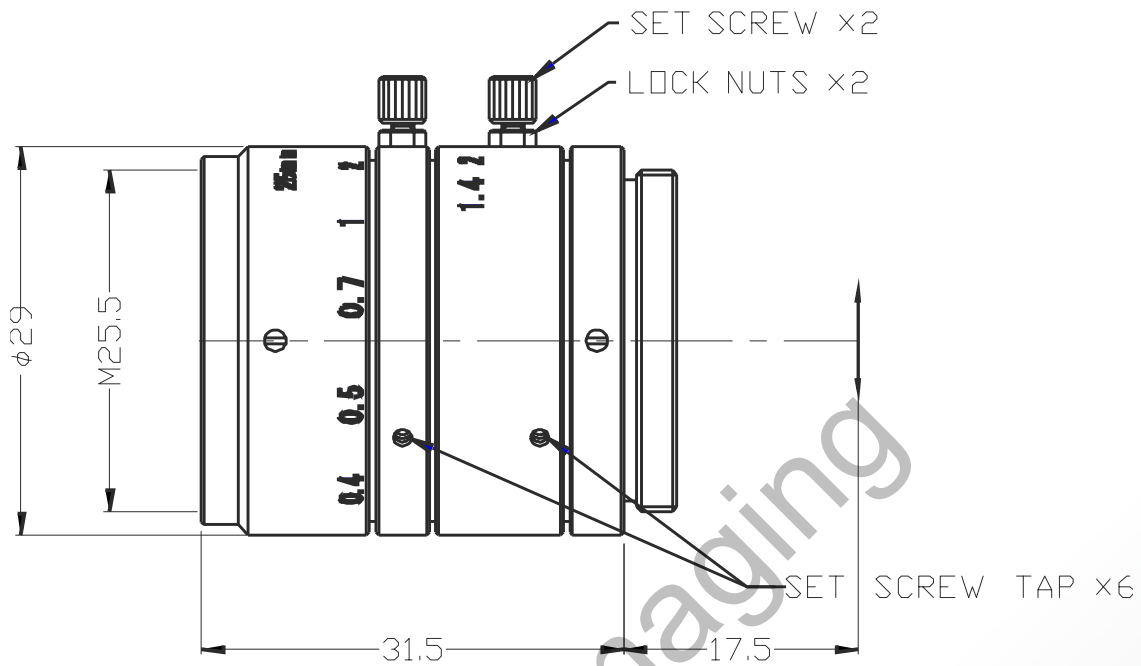


Lensagon CM2514MJ



The C-Mount lens Lensagon CM2514MJ is suitable for common sensors up to 1 megapixel with an image format of 2/3 inch. It is characterized by a particularly high light intensity.

Technical Data

Mount	C-Mount
Sensor	2/3 inch
Focal Length	25 mm
Aperture	1.4
MOD	0.25 m
Back Focal	13.13 mm
Angle of View	D:24.9° H:20.1° V:15.1°
Megapixel	1-2 MP
IR Cut Filter	No
Optical Distortion	-0.3 %
Weight	45 g
Iris	manual-lock
Focus	manual-lock
Filter	M25.5
Typ	Standard

SEDECO
IMAGING

Germany, Austria, Switzerland
Sedeco Imaging GmbH
 Unterer Dammweg 12
 76149 Karlsruhe
 Germany
 T. +49 721 5604 7980
 info@sedeco-imaging.com

BeNeLux
Sedeco Imaging B.V.
 Trasmolenlaan 12
 3447 GZ Woerden
 the Netherlands
 T. +31 348 749110
 info@sedeco-imaging.nl

www.sedeco-imaging.com



Light Sensitive

1

Megapixel