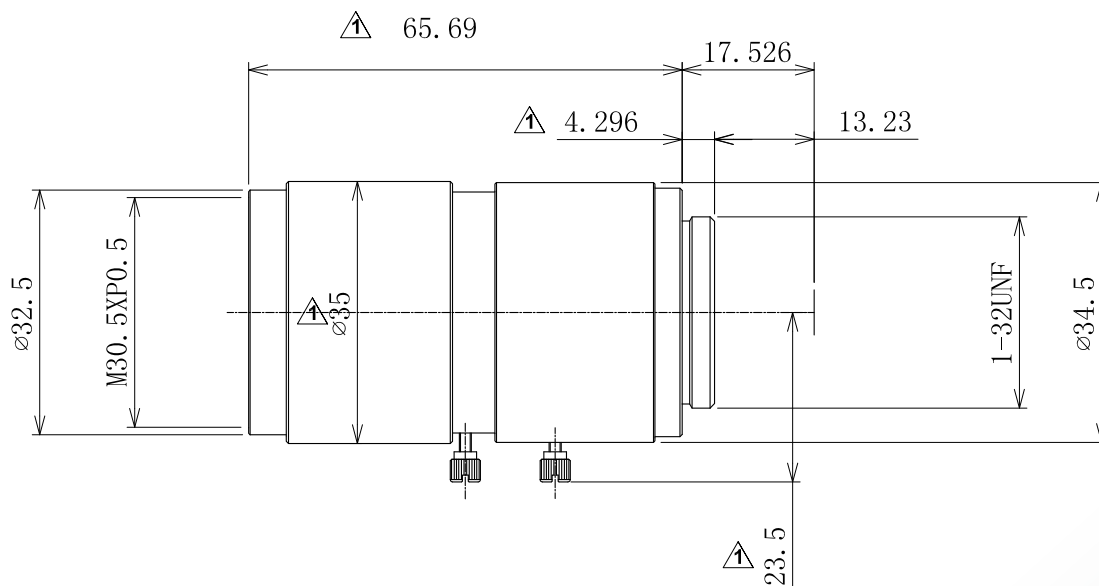


Lensagon C3M5025V2



The C-Mount lens Lensagon C3M5025V2 is suitable for common sensors up to 3 megapixel with an image format of 2/3 inch.

Technical Data

Mount	C-Mount
Sensor	2/3 inch
Focal Length	50 mm
Aperture	2.5
MOD	0.3 m
Back Focal	16.36 mm
Angle of View	D:12° H:9.7° V:7.3°
Megapixel	3 MP
Filter	IR corrected
IR Cut	No
Iris	manual
Focus	manual



3 Megapixel