

MV-CE013-50UM/UC

1.3 MP 1/3" CCD USB3.0 Area Scan Camera

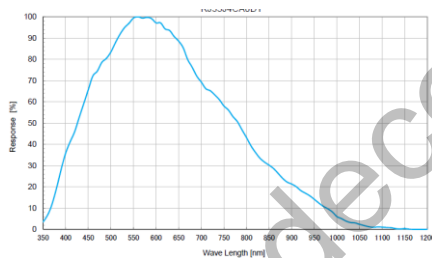
GEN*i*CAM **USB**
VISION



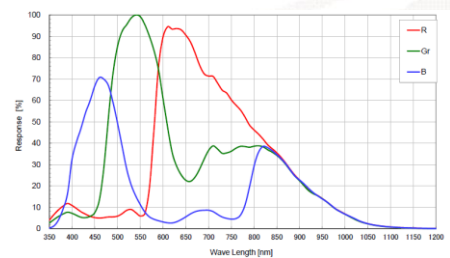
Key Feature

- Supports auto and manual adjustment for gain, exposure control, white balance, LUT, Gamma correction and Binning and etc.
- Supports hardware triggering, software triggering, and etc.
- Supports customized ROI to improve frame rate so as to make horizontal mirror image available
- Compatible with USB3 Vision Protocol, GenICam standard, and the third-party software

Sensor Quantum Efficiency



MV-CE013-50UM

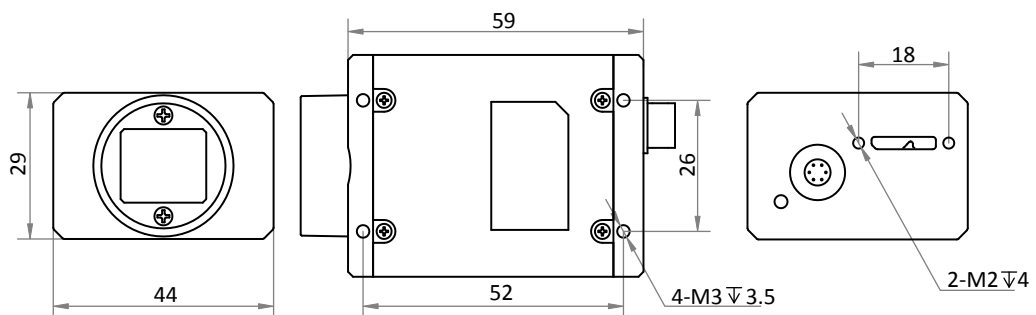


MV-CE013-50UC

Available Model

- Mono camera: MV-CE013-50UM
- Color camera: MV-CE013-50UC

Dimension



Unit: mm



Specification

Model	MV-CE013-50UM	MV-CE013-50UC
Parameters	1.3 MP 1/3" CCD USB3.0 Area Scan Camera	
Camera		
Sensor type	Global shutter, CCD	
Sensor model	Sharp RJ33	
Pixel size	3.75 μm \times 3.75 μm	
Sensor size	1/3"	
Resolution	1280 \times 960	
Frame rate	30 fps	
Dynamic range	> 60 dB	
SNR	> 37 dB	
Gain	0 dB to 20 dB	
Exposure time	10 μs to 1 s	
Shutter mode	Auto/Manual/ One-Push exposure mode	
Acquisition mode	Continuous mode, single frame mode	
Binning	Supports 1 \times 1, 1 \times 2, 2 \times 1, 2 \times 2	
Decimation	Supports 1 \times 1, 1 \times 2, 2 \times 1, 2 \times 2	
Mirror image	Supports horizontal mirror image	
Image buffer	128 MB	
Data format	Mono 8/10/10p/12/12p	Mono 8/10/12, Bayer RG 8/10/10p/12/12p, YUV422Packed, YUV422_YUYV_Packed, RGB8
Electrical features		
Data interface	USB3.0 or USB2.0	
Digital I/O	Opto-isolated input x 1 (Line 0), Opto-isolated output x 1 (Line 1), Bi-directional non-isolated I/O x 1 (Line 2)	
Power supply	USB3.0 power supply, voltage range: 5 VDC to 15 VDC	
Power consumption	< 2.7 W@12 VDC	
Structure		
Lens mount	C-Mount	
Dimension	29 mm \times 44 mm \times 59 mm (1.1" \times 1.7" \times 2.3")	
Weight	Approx. 90 g (0.2 lb.)	
Ingress protection	IP30 (only when lens is correctly mounted and cables are correctly connected.)	
Temperature	Working temperature: 0 $^{\circ}\text{C}$ to 50 $^{\circ}\text{C}$ (32 $^{\circ}\text{F}$ to 122 $^{\circ}\text{F}$) Storage temperature: -30 $^{\circ}\text{C}$ to 70 $^{\circ}\text{C}$ (-22 $^{\circ}\text{F}$ to 158 $^{\circ}\text{F}$)	
Humidity	20% to 80% RH, without condensation	
General		
Client software	MVS or third-party software with USB3 Vision Protocol	
Operating system	32/64-bit Windows XP, Windows 7 and Windows 10	
Compatibility	USB3 Vision V1.0, GenICam	
Certification	CE, FCC, RoHS	