

MV-VB2120-120G**Intel Bay Trail Platform Based Vision Box**

The Hikvision MV-VB2110-120G Intel Bay Trail Platform Based Vision Box is a high quality device that can be used in a variety of applications, including robotics, medical equipment, laser equipment, CNC assets, machine vision applications such as packaging inspection, bottle inspection etc.

Key Features

- On-board Intel E3845 SoC, 1.91GHz CPU, providing more than 200% CPU and 350% GPU performance of the last generation.
- Gen7 GPU, optimizing the image processing algorithms to improve performance.
- Ultra-compact structural design, suitable for the requirements in industrial occasions.
- 4GB DDR3L memory.
- -10°C~+50°C without cooling fan.
- Two Intel Gigabit Ethernet ports; enhanced surge prevention design provides high level protection of the ports, ensuring stable connection to machine vision cameras.
- Embedded 24W light control interface, can output power supply and adjust brightness to light.
- Two independent HDMI ports.
- Support GPIO.

Application Scenarios

- Robotics
- Medical equipment
- Laser equipment
- CNC assets
- Machine vision applications such as packaging inspection, bottle inspection

Order Model

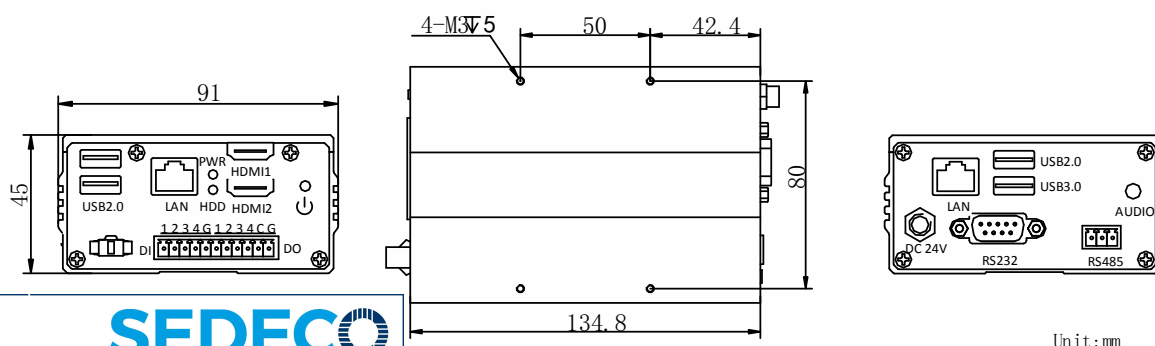
MV-VB2120-120G



Specifications

Model	MV-VB2120-120G
Parameters	Intel Bay Trail Platform Based Vision Box
Device	
CPU	Intel E3845, Quad Core, 1.91GHz
Memory	4GB DDR3L-1333
Image/Video	<ul style="list-style-type: none"> ● Integrated Gen7 GPU ● Support various video mode decoding, hardware-accelerated ● H.264 video coding
Display	2 × HDMI ports, independent display outputs, support max resolution 2560×1600
Network	2 × Intel i210 GigE controller 2 × RJ45 adaptive Ethernet port (10-1000Mb/s) Enhanced surge prevention design
Hard Drive	120GB SSD
USB	1 × USB 3.0 host port 3 × USB 2.0 host port
Serial Port	1 × half-duplex RS485 port (non-Isolated) 1 × RS232
GPIO	8 × GPIOs (4inputs, 4 outputs)
Light Interface	1 x current controlled, output maximum current 2A, maximum power 24W
Audio	High definition audio stereo line-out and mono mic-in
Power	DC 24V/1A
Dimension	135mm (Length)×91mm (Width)×45mm (Height)
Power Consumption	≤14W
Working Temperature	-10°C~+50°C, no air flow
Operating System	Win7, Win10

Dimensions



Unit:mm

SEDECO
IMAGING

Germany, Austria, Switzerland

Sedeco Imaging GmbH
 Unterer Dammweg 12
 76149 Karlsruhe
 Germany
 T. +49 721 5604 7980
 info@sedeco-imaging.com

BeNeLux

Sedeco Imaging B.V.
 Trasmolenlaan 12
 3447 GZ Woerden
 the Netherlands
 T. +31 348 749110
 info@sedeco-imaging.nl

www.sedeco-imaging.com