

## MV-VB2100-032/120G Intel Bay Trail Platform Based Vision Box



The Hikvision MV-VB2100-032/120G Intel Bay Trail Platform Based Vision Box is a high quality device that can be used in a variety of applications, including robotics, medical equipment, laser equipment, CNC assets, machine vision applications such as packaging inspection, bottle inspection etc.

### Key Features

- On-board Intel E3845 SoC, 1.91GHz CPU, providing more than 200% CPU and 350% GPU performance of the last generation.
- Gen7 GPU, optimizing the image processing algorithms to improve performance.
- Ultra-compact structural design, suitable for the requirements in industrial occasions.
- 4GB DDR3L memory.
- -10°C~+50°C without cooling fan.
- Two Intel Gigabit Ethernet ports; enhanced surge prevention design provides high level protection of the ports, ensuring stable connection to machine vision cameras.
- Two independent HDMI ports.
- Support GPIO

### Application Scenarios

- Robotics
- Medical equipment
- Laser equipment
- CNC assets
- Machine vision applications such as packaging inspection, bottle inspection

### Order Models

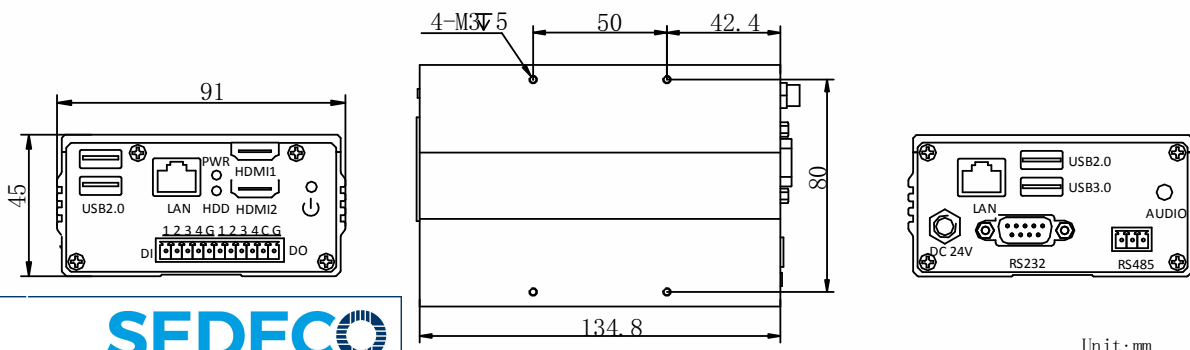
MV-VB2100-032G  
MV-VB2100-120G



## Specifications

Model	MV-VB2100-032G	MV-VB2100-120G
Parameters	Intel Bay Trail Platform Based Vision Box	
<b>Device</b>		
CPU	Intel E3845, Quad Core, 1.91GHz	
Memory	4GB DDR3L-1333	
Image/Video	<ul style="list-style-type: none"> <li>● Integrated Gen7 GPU</li> <li>● Support various video mode decoding, hardware-accelerated</li> <li>● H.264 video coding</li> </ul>	
Display	2 × HDMI ports, independent display outputs, support max resolution 2560×1600	
Network	2 × Intel i210 GigE controller 2 × RJ45 adaptive Ethernet port (10-1000Mb/s) Enhanced surge prevention design	
Hard Drive	32GB SSD	120GB SSD
USB	1 × USB 3.0 host port 3 × USB 2.0 host port	
Serial Port	1 × half-duplex RS485 port (non-Isolated) 1 × RS232	
GPIO	8 × GPIOs (4inputs, 4 outputs)	
Light Interface	NA	
Audio	High definition audio stereo line-out and mono mic-in	
Power	DC 24V/1A	
Dimension	135mm (Length)×91mm (Width)×45mm (Height)	
Power Consumption	≤14W	
Working Temperature	-10°C~+50°C, no air flow	
Operating System	Win7, Win10	

## Dimensions



Unit:mm

**SEDECO**  
IMAGING

Germany, Austria, Switzerland

Sedeco Imaging GmbH  
 Unterer Dammweg 12  
 76149 Karlsruhe  
 Germany  
 T. +49 721 5604 7980  
 info@sedeco-imaging.com

BeNeLux

Sedeco Imaging B.V.  
 Trasmolenlaan 12  
 3447 GZ Woerden  
 the Netherlands  
 T. +31 348 749110  
 info@sedeco-imaging.nl

[www.sedeco-imaging.com](http://www.sedeco-imaging.com)