

Transmissive Light Large Flat-surface Light IFD series

Replacable from fluorescent transmissive light

DC 48V Specifications

Low Cost

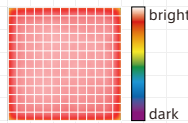


A4 to A0 size is standard in the line-up. Achieve the high uniformity. It is possible to product in 100mm unit if you need more than 500mm. The maximum size of 2400mm × 900mm.

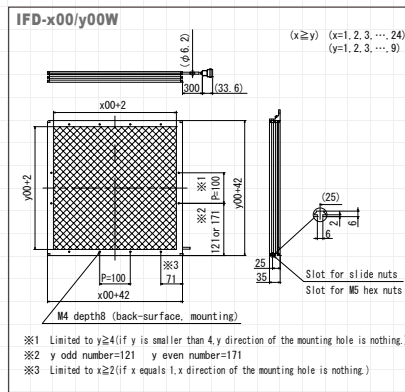
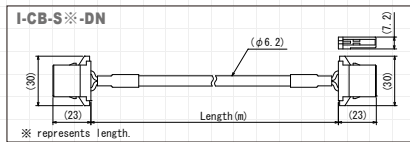
Size	Model	Light Color	Power Consumption (W)	Input Voltage	Power Supply
A4	IFD-300/200W	W	30	DC48V	IWDV-300SL-48 (P.64) (Analog) IWDV-300S-48 (P.63) (Digital) IWDV-600SL-48 (P.64) IWDV600S-48 (P.63)
A3	IFD-400/300W	W	60		
A2	IFD-600/400W	W	120		
A1	IFD-800/600W	W	240		
A0	IFD-1200/800W	W	480		

Luminance Distribution Chart (Reference Values)

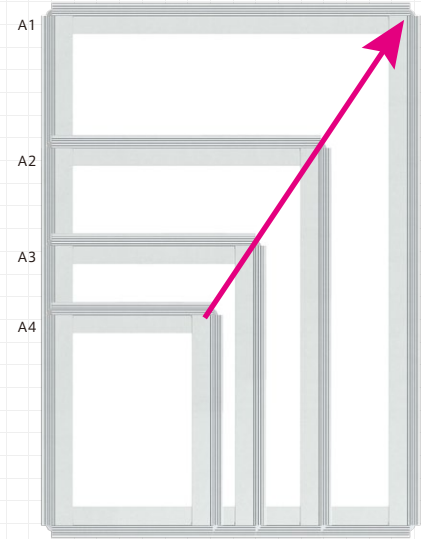
Delivers light with uniformity of within 2.5% except within approximately 50 mm of the outer sides of the light-emitting surface. Measurement model: IFD-400/400W



Dedicated extension cable for IFD



A4 to A0 size is standard in the line-up.



Transmissive Light Large Flat-surface Light IFD Infrared series

Large IR LED surface light

DC 24V Specifications

Power LEDs

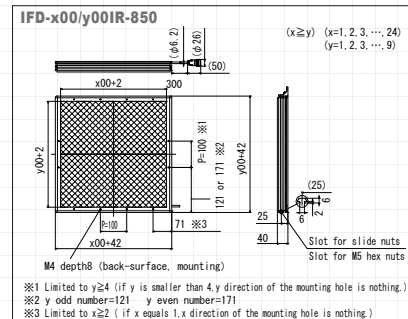
Low Cost



Model	Light Color	Power Consumption (W)	Input Voltage	Power Supply
IFD-200/100IR-850	IR (850)	16	DC24V	IWDV-100S-24 (P.66)
IFD-300/100IR-850	IR (850)	24		
IFD-400/100IR-850	IR (850)	32		
IFD-500/100IR-850	IR (850)	40		
IFD-600/100IR-850	IR (850)	48		
IFD-200/200IR-850	IR (850)	32		
IFD-300/200IR-850	IR (850)	48		
IFD-400/200IR-850	IR (850)	64		
IFD-500/200IR-850	IR (850)	80		IWDV-300S-24 (P.66)
IFD-600/200IR-850	IR (850)	96		
IFD-300/300IR-850	IR (850)	72		
IFD-400/300IR-850	IR (850)	96		
IFD-500/300IR-850	IR (850)	120		
IFD-600/300IR-850	IR (850)	144		
IFD-400/400IR-850	IR (850)	128		
IFD-500/400IR-850	IR (850)	160		
IFD-600/400IR-850	IR (850)	192		
IFD-500/500IR-850	IR (850)	200		
IFD-600/500IR-850	IR (850)	240		

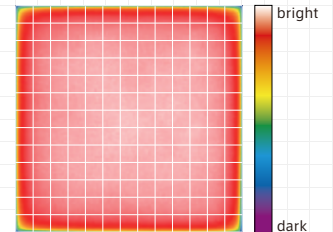
Available to 100mm increment !

- (Maximum available size)
- 100mm × 2400mm
 - 200mm × 1500mm
 - 300mm × 1000mm
 - 400mm × 700mm
 - 500mm × 600mm

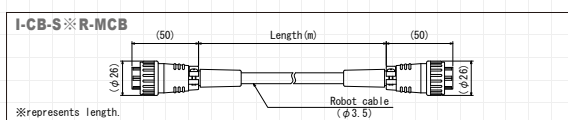


Luminance Distribution Chart (Reference Values)

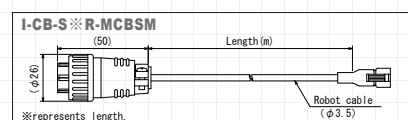
Delivers light with uniformity of within 10% except within approximately 50 mm of the outer sides of the light-emitting surface. Measurement model: IFD-400/400IR-850



Cables (For connecting to IWDV power supply)



Cables (For connecting to ILP-60M2-24 and IDGB-24)



Capacity is MAX 70W.