

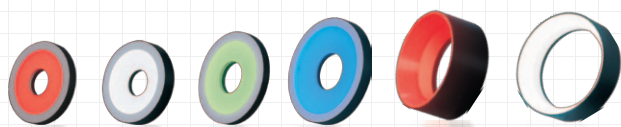
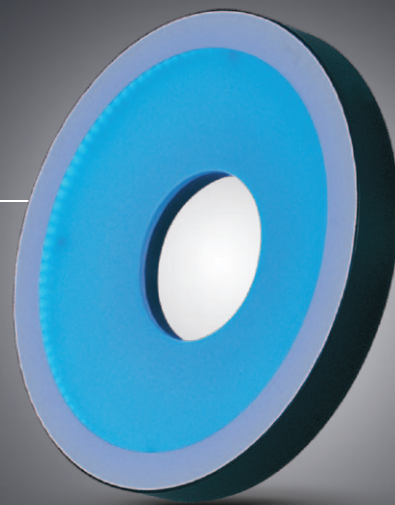
Ring Light

# Shadow-less Ring Light

## IFR • IPR series

Uniform illumination of workpieces with glossy or irregular surfaces

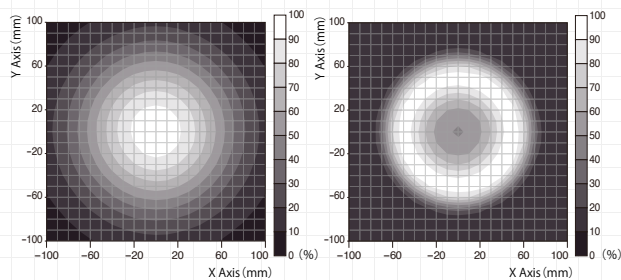
DC 24V Models Available



Model	Light Color	Power Consumption (W)	Input Voltage	SAG (+)	Power Supply	Drawing
IFR-100□	R	2.9	DC12V	6F	ILP-30M2 (P.69) IDGB series (P.67) other, overdrive power supply etc.	1
	DW B G	4.4		FF		
IFR-130□	R	3.6		70		2
	DW B G	5.4		FF		
IFR-K74/20□	R	3.9		70		3
	DW B G	5.8		FF		
IFR-K100□	R	2.9		6F		4
	DW B G	4.4		FF		
IFR-K150□	R	4.1		70		5
	DW B G	6.2		FF		
IPR-100/73□	R	5.3		71		6
	DW B G	8		FF		
IPR-136/109□	R	7.2		72		7
	DW B G	10.8		FF		
IPR-180/153□	R	10.4		75		8
	DW B G	15.5		FF		

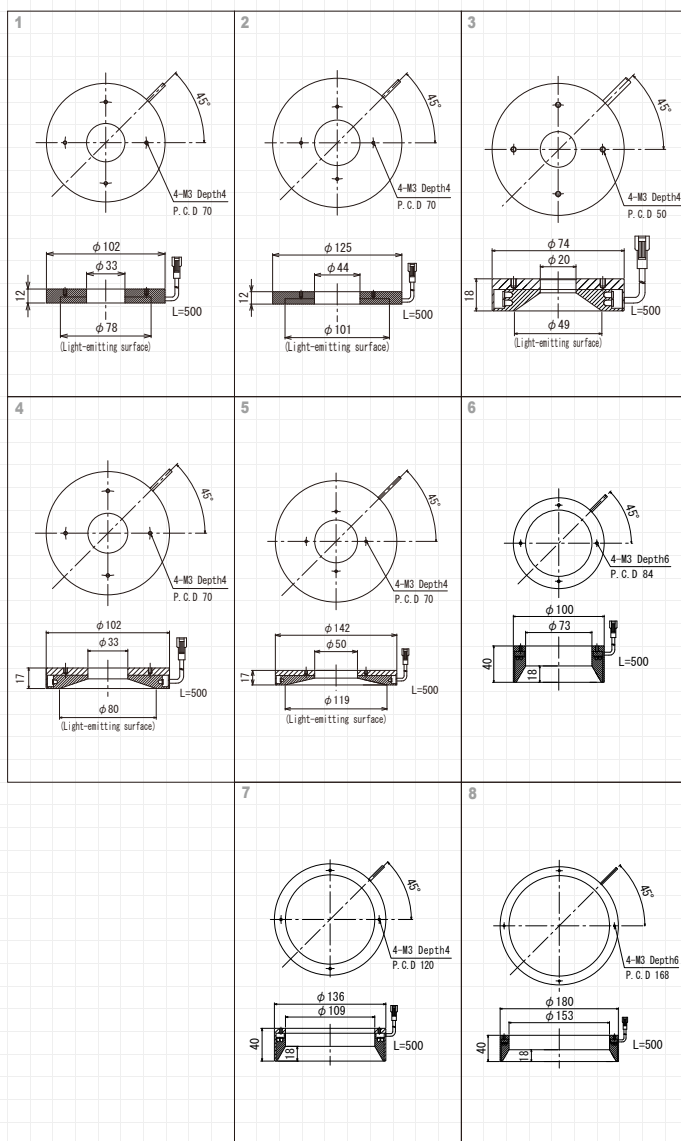
□ represents light color (R=Red, DW=White, B=Blue, G=Green)  
 \*Input voltage is DC 12V, but DC 24V models are also available.  
 \*See page 60 for DC 24V models.  
 \*Sizes other than those above are also available.  
 \*The SAG value indicates the maximum voltage setting for SAG power supplies. For details, see page 75.

### Luminance Distribution Chart (Reference Values)

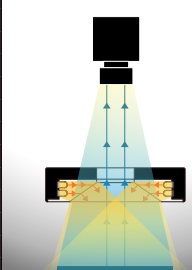


Soft illumination with excellent uniformity. The K model can illuminate the central area more brightly. Measurement model: IFR-K150DW WD: 50mm

The illumination surface can be moved by changing the working distance. Measurement model: IPR-136/109DW WD: 10mm



### LIGHTING STRUCTURE



Effect → Illumination via indirect light prevents halation.

