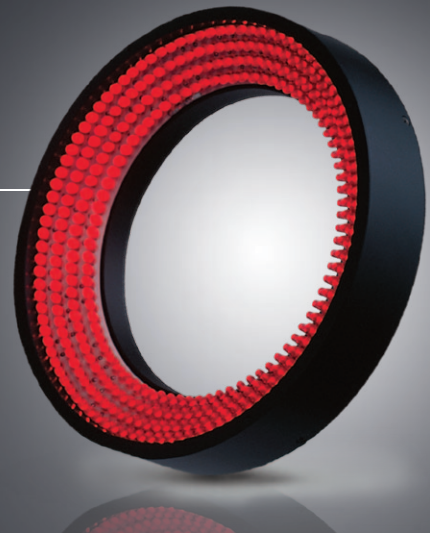


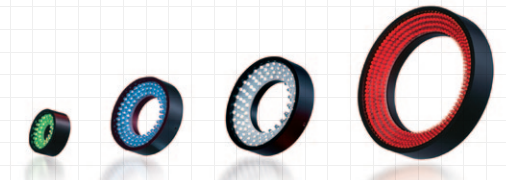
Direct Ring Light

IDR series

General purpose ring light for a diverse range of visual inspections



DC 24V Models Available



Model	Light Color	Power Consumption (W)	Input Voltage	SAG (*)	Power Supply	Drawing
IDR-32/10□	DR	1.6	DC 12V	D8	ILP-30M2 (P.69) IDGB series (P.67) other, overdrive power supply etc.	1
	DW B G	1.8		FF		
IDR-38/15□	DR	1.8		C6		2
	DW B G	2.2		FF		
IDR-40/25□	DR	1.2		C6		3
	DW B G	1.5		FF		
IDR-42/18□	DR	2.4		C6		4
	DW B G	2.6		FF		
IDR-50/28□	DR	3		C7		5
	DW B G	2.7		FF		
IDR-66/36□	DR	4.3	FF	6		
	DW B G	5.4	FF			
IDR-70/39□	DR	4.7	FF	7		
	DW B G	5.8	FF			
IDR-90/50□	DR	7.1	FF	8		
	DW B G	6.5	FF			
IDR-110/60□	DR	9.6	FF	9		
	DW B G	9.6	FF			
IDR-140/95□	DR	13.9	FF	10		
	DW B G	10.8	FF			

□ represents light color (DR=Red, DW=White, B=Blue, G=Green)

*Optional diffusing plate/polarizing plate can be mounted.

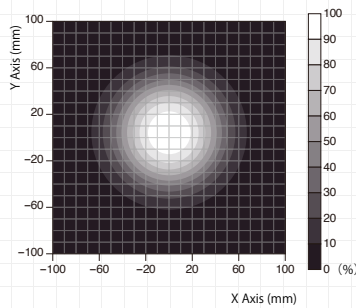
*Input voltage is DC 12V, but DC 24V models are also available.

*Sizes other than those above are also available.

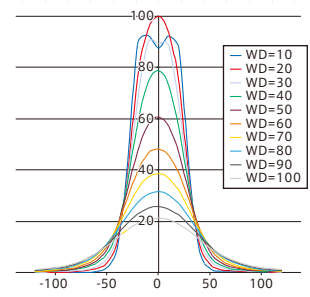
*See page 60 for DC 24V models.

*The SAG value indicates the maximum voltage setting for SAG power supplies. For details, see page 75.

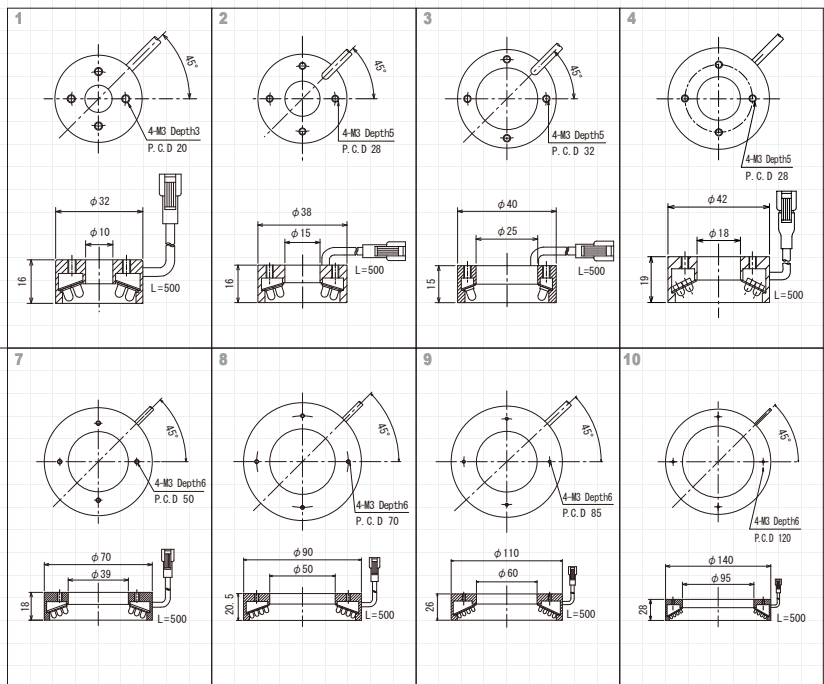
Luminance Distribution Chart (Reference Values)



The lighting in the central area is intensified by inclining the LED.
Measurement model: IDR-110/60DW
WD: 50mm



Measurement model: IDR-70/39DW



Effect Example of improved surface reflection on objects photographed using direct illumination from above.



IDR-110/60DW Direct Illumination

IDR-110/60DW with Diffusing Plate

IDR-110/60DW with Polarizing Plate

LIGHTING STRUCTURE

