

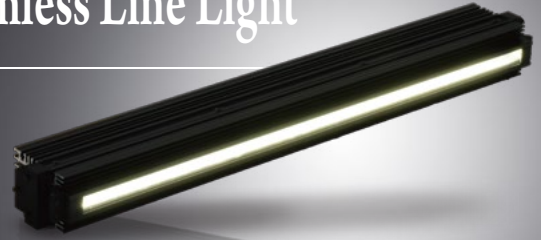
# 1,000,000 lx Natural Air Cooling Type Seamless Line Light

## IDBB-LSRH series

Achieved the industry-leading high output power over 1,000,000 lx by natural air cooling.

Capable of brightness adjustment in 100 mm increments from a PC with dedicated power supply application. Extensive lineup of highly uniform S type available

- Special Optical Design
- Natural air cooled
- Power LEDs



- Realized 1,000,000 lx (WD50 mm) with natural air cooling
- Capable of individual control in 100mm increments from a PC with dedicated power supply application
- Lineup includes the emission light sizes from 100 to 3,000 mm in 100 mm increments
- For highly uniform specification, 'S' is attached at the end of each model

Model	Light Color	Power Consumption (W)	Channel numbers	Drive System	Power Supply	Drawing
IDBB-LSRH100W	W	30	1CH	Constant current	IMC-300M10-TP (P.65)	n=1
IDBB-LSRH200W	W	60	2CH			n=2
IDBB-LSRH300W	W	90	3CH			n=3
IDBB-LSRH400W	W	120	4CH			n=4
IDBB-LSRH500W	W	150	5CH			n=5
IDBB-LSRH600W	W	180	6CH			n=6
IDBB-LSRH700W	W	210	7CH			n=7
IDBB-LSRH800W	W	240	8CH			n=8
IDBB-LSRH900W	W	270	9CH			n=9
IDBB-LSRH1000W	W	300	10CH			n=10
IDBB-LSRH1100W	W	330	11CH	Constant current	IMC-600M20-TP (P.65)	n=11
IDBB-LSRH1200W	W	360	12CH			n=12
IDBB-LSRH1300W	W	390	13CH			n=13
IDBB-LSRH1400W	W	420	14CH			n=14
IDBB-LSRH1500W	W	450	15CH			n=15
IDBB-LSRH1600W	W	480	16CH			n=16
IDBB-LSRH1700W	W	510	17CH			n=17
IDBB-LSRH1800W	W	540	18CH			n=18
IDBB-LSRH1900W	W	570	19CH			n=19
IDBB-LSRH2000W	W	600	20CH			n=20
IDBB-LSRH2100W	W	630	21CH	Constant current	IMC-1000M30-TP (P.65)	n=21
IDBB-LSRH2200W	W	660	22CH			n=22
IDBB-LSRH2300W	W	690	23CH			n=23
IDBB-LSRH2400W	W	720	24CH			n=24
IDBB-LSRH2500W	W	750	25CH			n=25
IDBB-LSRH2600W	W	780	26CH			n=26
IDBB-LSRH2700W	W	810	27CH			n=27
IDBB-LSRH2800W	W	840	28CH			n=28
IDBB-LSRH2900W	W	870	29CH			n=29
IDBB-LSRH3000W	W	900	30CH			n=30

\*See page 82 for condensing lens and optical diffusing plate models. \*Condensing lens ILBBH-□ and optional diffusing plate IKBB-LSRH□ can be mounted. □ represents size in 100mm increments. We lineup the condense lens from 100 to 1000mm, and diffusing plate is from 100 to 1800mm. When ordering, specify number and type of condensing lenses and diffusing plates required. Diffusing plates are available with transmissivity of 30%, 60%, 80%, or 90%.

### Dedicated extension cable for IDBB-LSRH

Model	Length (m)
I-CB-S1-HDN	1
I-CB-S2-HDN	2
I-CB-S3-HDN	3
I-CB-S5-HDN	5
I-CB-S7-HDN	7
I-CB-S10-HDN	10

Power Supply (current light control)

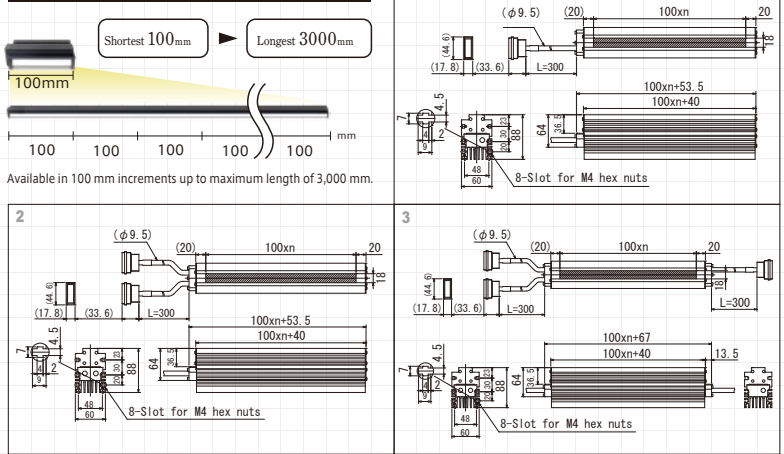


**IMC series**

Light control: 1000 levels  
(Capable individual control in 100mm increments.)  
External Control: LAN control

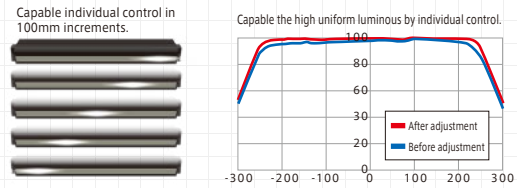
details are described in P65

### Wide Selection of Size



### Capable individual control in 100 mm increments

Because it is possible to control individually in 100 mm increments by exclusive supply power IMC series, you can control dimming according to the situation. Furthermore, it is mounted offset dimming to go up and down while maintaining individual dimming setting.



### Avoid trouble by error detection system

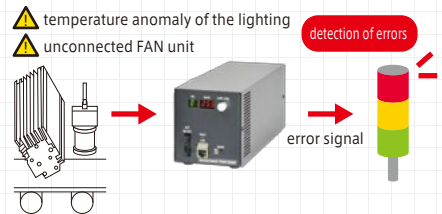
Connection to exclusive power supply of the IMC

- temperature anomaly of the lighting
- unconnected FAN unit

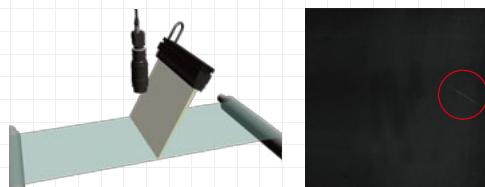
temperature anomaly of the lighting

- unconnected FAN unit

can detect them and quickly avoid troubles by error signal from power supply.



### Workpiece: Surface inspection of films



Light used: IDBB-LSRH400W

