

Dome Light

Dome Light

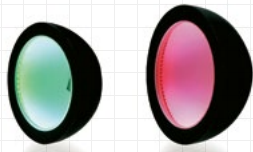
IDD-K·IDU-C series

Uniform dome irradiation with reflective coaxial light

DC 24V Models Available



IDD-K series

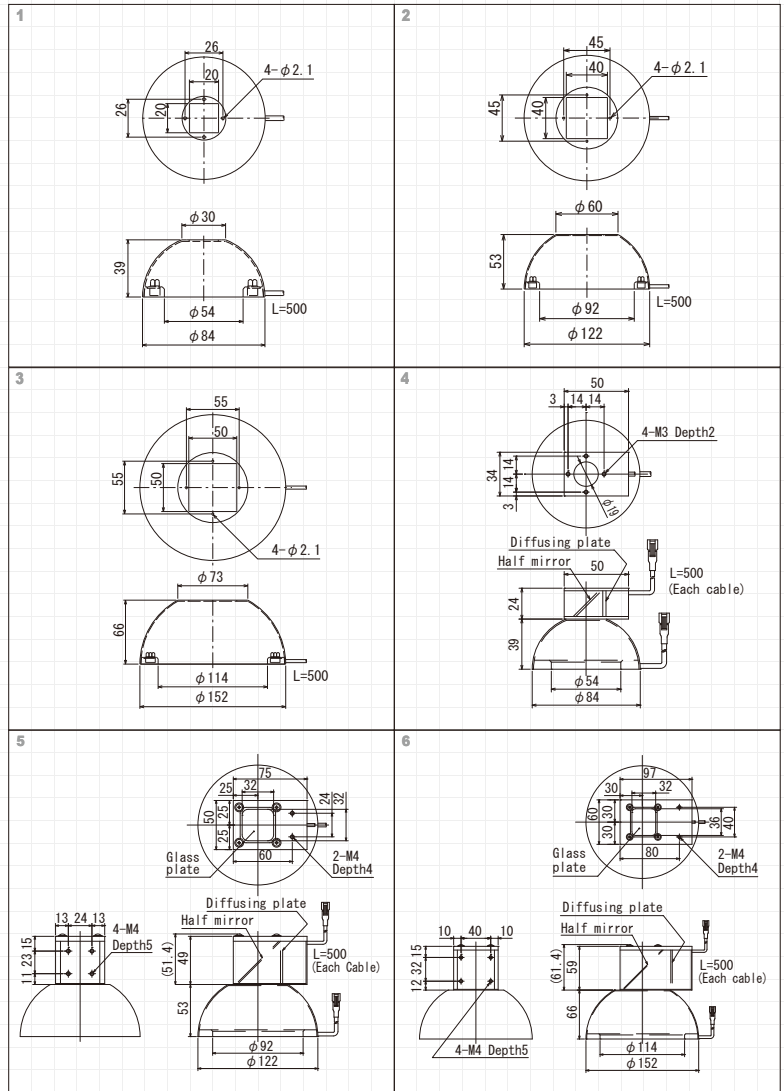


IDU-C series



Model	Light Color	Power Consumption (W)	Input Voltage	SAG (*)	Power Supply	Drawing	
IDD-K80R	R	3.9	DC12V	70	ILP-30M2 (P.69) IDGB series (P.67) other, overdrive power supply, etc.	1	
IDD-K80□	DW B G	4.4		FF			
IDD-K120R	R	6.3		72		2	
IDD-K120□	DW B G	7.2		FF			
IDD-K150R	R	10.8		75		3	
IDD-K150□	DW B G	13		FF			
IDU-C80R	R	5.1		-		4	
IDU-C80□	DW B G	6.1		-			
IDU-C120R	R	9		-			5
IDU-C120□	DW B G	10.3		-			
IDU-C150R	R	15.6		-			6
IDU-C150□	DW B G	17.9		-			

□ represents light color (DW=White, B=Blue, G=Green)
 *Top plates for IDD-K models are available with a circular hole or a square hole.
 *Input voltage is DC 12V, but DC 24V models are also available.
 *See page 60 for DC 24V models.
 *Sizes other than those above are also available.
 *Models with a horizontal opposed ring are also available.
 *The SAG value indicates the maximum voltage setting for SAG power supplies.
 For details, see page 75.



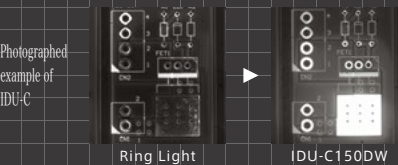
Effect Uniform illumination from every direction reduces surface reflections, which enables to acquire images with high S/N ratio.



LIGHTING STRUCTURE



Effect With specularly reflected light component of coaxial light and dome effect, only the solder section can be highlighted.



LIGHTING STRUCTURE

